

PARTS LIST

[UX-T77]

* All printed circuit boards and its assemblies are not available as service parts.

Areas Suffix

UF -----.China

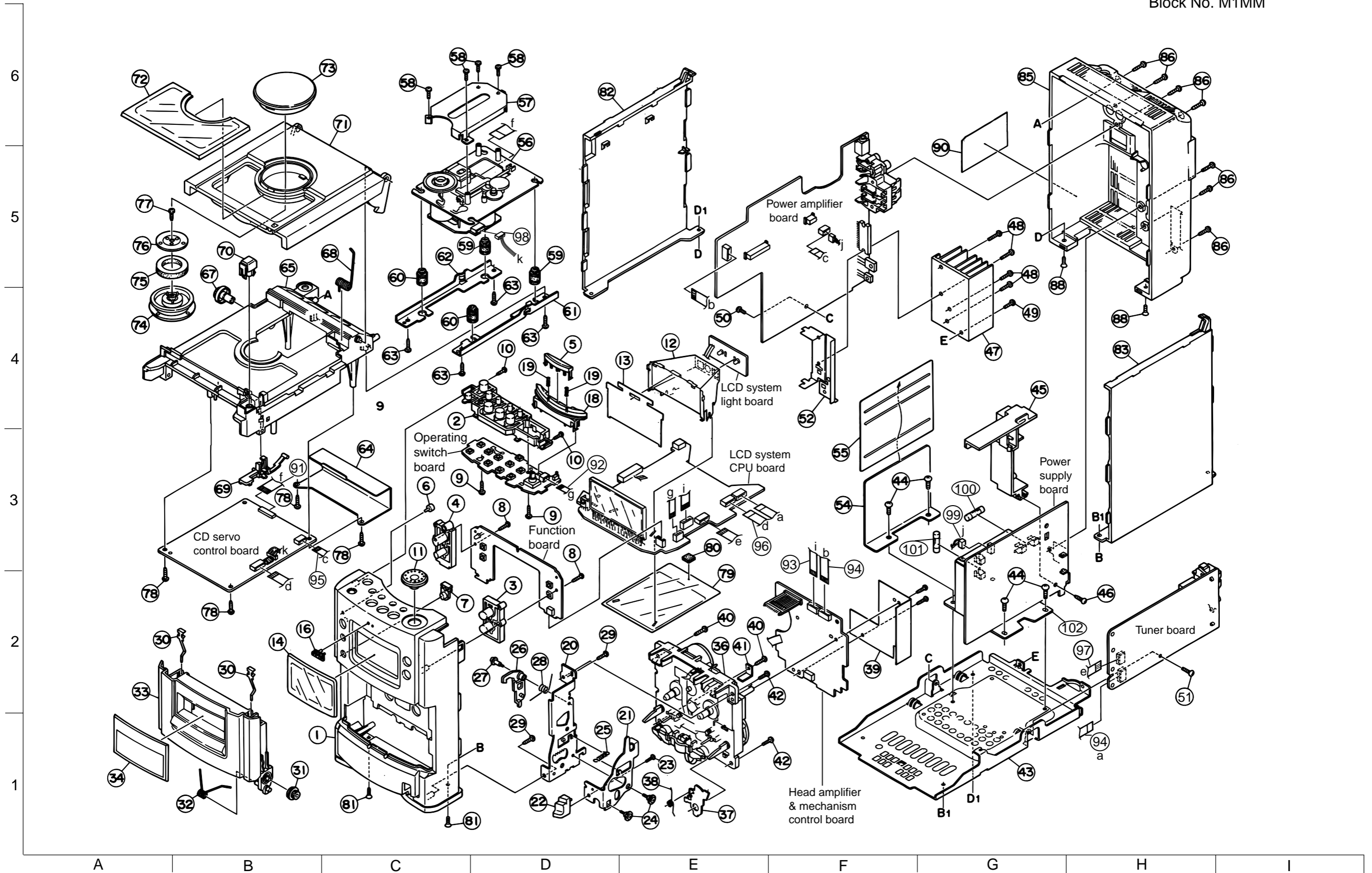
- Contents -

Exploded View of General Assembly and Parts List	3- 3
CD Mechanism Ass'y and Parts List	3- 5
Cassette Mechanism Ass'y and Parts List	3- 6
Electrical Parts List	3-11
Packing Materials and Accessories Parts List	3-19

<<MEMO>>

Exploded View of General Assembly and Parts List

Block No. M1MM



■ Parts list (General assembly)

Block No. M1MM

△	Item	Parts number	Parts name	Q'ty	Description	Area
	1	VJG1473-023	FRONT PANEL	1	MIPS SPRAY*1 S*	
	2	VXP3867-005	PUSH BUTTON(A)	1	ABS	
	3	VXP5352-005	PUSH BUTTON(B)	1	ABS	
	4	VXP5353-005	PUSH BUTTON(C)	1	ABS	
	5	VXP5358-006	SNOOZE BUTTON	1	ABS	
	6	VJK4493-001SC	LENS(STANDBY)	1		
	7	VJK4504-001	REMOCON LENS	1		
	8	QYSBSF2608Z	T.SCREW	2	FOR F.P+PWB	
	9	QYSBSF3008Z	SCREW	2	BUTTON+PWB	
	10	QYSBSF2608Z	T.SCREW	2	FOR F.P+BUTTON	
	11	VXL4453-005	MULTI JOG DIAL	1	ABS	
	12	VYH3982-001	LAMP CASE	1	SPT E T0.4	
	13	VYTT704-001	LCD FILTER	1	FOR LCD	
	14	VJT4241-002	LCD LENS	1	PMMA SILK*1	
	16	E406971-001SM	JVC MARK	1	GOLD	
	18	VYH8160-005	BUTTON COVER	1	SILK*1	
	19	VKW5306-001	COMP.SPRING	2		
	20	VYH3983-001	DOOR HOLDER	1	EGC T1	
	21	VYH8149-001	EJECT LEVER	1	EGC T1.2	
	22	VXQ4125-005	EJECT KNOB	1	ABS	
	23	QYSBSF2608Z	T.SCREW	1	FOR E.LVR+E.KNO	
	24	VKZ4323-002	SCREW	2	D.HOLDER+E.LEVE	
	25	VKW3002-274	TENSION SPRING	1	FOF E.LEVER	
	26	VYH7347-001	EJECT ARM	1	POM	
	27	VKZ4341-001	SPECIAL SCREW	1	FOR EJECT ARM	
	28	VKW4938-001	TORTION SPRING	1	FOR EJECT ARM	
	29	QYSBSF3008Z	SCREW	2	F.P+D.HOLDER	
	30	VKY4180-001	CASSETTE SPRING	2		
	31	VYH5601-001	GEAR	1		
	32	VKW5295-001	DOOR SPRING	1	SUS	
	33	LV20361-002A	CASSETTE DOOR	1	MIPS SPRAY*1	
	34	LV40937-002A	DOOR LENS	1	PMMA SILK*2	
	36	-----	CASSETTE MECHA	1	SLC	
	37	VKL7850-203	EJECT SAFTY(R)	1		
	38	VKW5258-003	TORSION SPRING	1		
	39	VMA4723-001	SHIELD	1		
	40	QYSBSF3010Z	SCREW	2	F.PANEL+MECHA	
	41	VYH8183-001	BRACKET	1	FOR CASSETTE DO	
	42	QYSBST3008Z	T.SCREW	2	DOOR HOL+MECHA	
	43	VYH1263-001	BOTTOM CHASSIS	1	EGC T0.8	
	44	QYSBST4006Z	T.SCREW	4	CHASSIS+TRANS	
	45	VYH3984-001	JACK HOLDER	1	ABS FOR	
	46	QYSBSF3010Z	SCREW	1	PWB+JACK HOL	
	47	VYH8153-001	RADIATION	1	AL e-j--	
	48	QYSBST3012Z	T.SCREW	4	RADI+IC	
	49	QYSBST3006Z	T.SCREW	1	RADI+CHASSIS	
	50	QYSBST3006Z	T.SCREW	1	MAIN PWB+CHASSI	
	51	QYSBST3006Z	T.SCREW	1	TUNER PWB+CHASS	

■ Parts list (General assembly)

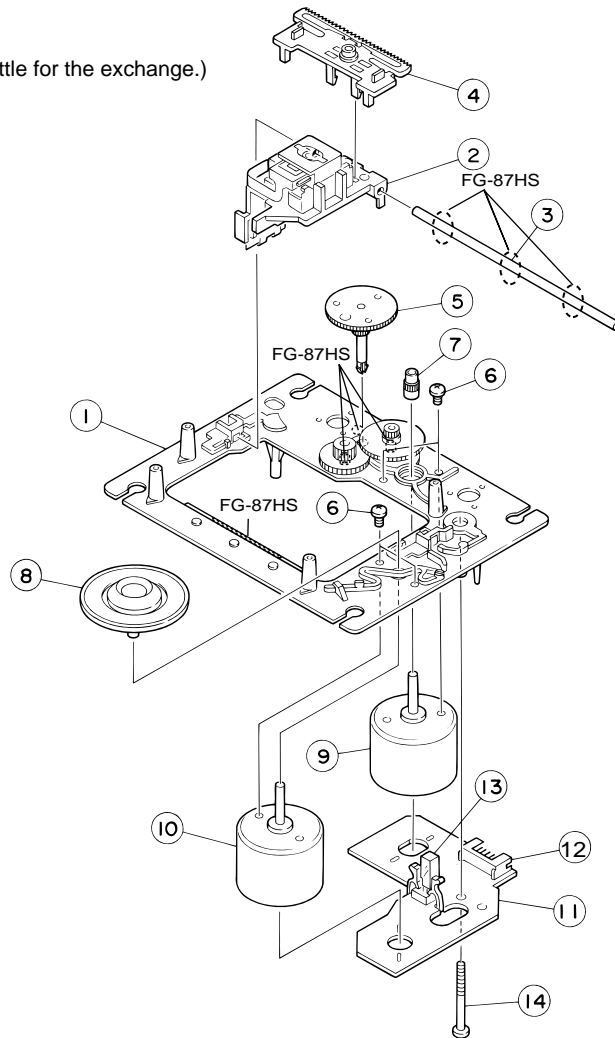
Block No. M1MM

△	Item	Parts number	Parts name	Q'ty	Description	Area
	52	VYH3987-001SC	IC HOLDER	1	SPT E T0.4	
	54	VMA3239-001	SHIELD	1		
	55	VMA4720-001	BARRIER	1		
	56	-----	CD MECHA	1		
	57	VJD5410-306	PICK COVER	1		
	58	QYSDSF2006M	SCREW	4	CD MECHA+P.COVE	
	59	FMYH4003-001J	INSULATOR	2		
	60	FMYH4003-002J	INSULATOR	2		
	61	VYH8089-001SC	CD MECHA HOLDER	1		
	62	VYH8089-002SC	CD MECHA HOLDER	1		
	63	QYSBSF3010Z	SCREW	4	CD CASE+M.HOLDE	
	64	VMA4692-002SC	SHIELD	1	FOR CD MECHA WI	
	65	VJD1216-003	CD CASE	1	MIPS T2.5 EMBOS	
	67	VYH4769-002SS	GEAR	1		
	68	VKW5276-001	CD DOOR SPRING	1	SUS	
	69	VYH8152-001	LOCK LEVER	1	POM	
	70	VXP5354-006	CD EJECT KNOB	1	ABS	
	71	VJT2385-007	CD DOOR	1	ABS HOT STAMP	
	72	VJT3392-002	CD LENS	1	PMMA	
	73	VJT4245-005	CD ORNAMENT	1		
	74	VYH3726-002SS	CLAMPER	1	ABS	
	75	VYH7313-003	MAGNET	1		
	76	VYH7677-201	YOKE	1	EGC T0.8	
	77	QYSDSF2606Z	SCREW	1	FOR CLAMPER	
	78	QYSBSF3010Z	SCREW	4	CD PWB+CD CASE	
	79	VMA4721-002	SHIELD	1		
	80	PU59915-105	SPACER	1		
	81	QYSSST3008Z	SCREW	2	CHASSIS+F.PANEL	
	82	VJD2488-008	SIDE PANEL(L)	1		
	83	VJD2489-008	SIDE PANEL	1		
	85	VJG1477-027	REAR PANEL	1	PS -t- k-c-h	
	86	QYSBSF3010Z	SCREW	7		
	88	QYSSST3008Z	SCREW	2	FOR R.P+CHASSIS	
	90	LV31059-004A	NAME PLATE	1		
	91	QUQ910-1507AJ	FFC WIRE	1		
	92	QUQB12-0508CJ	FFC WIRE	1		
	93	QUQB12-0914CJ	FFC WIRE	1		
	94	QUQB12-1020CJ	FFC WIRE	1		
	95	QUQB12-0716CJ	FFC WIRE	1		
	96	QUQB12-1106DJ	FFC WIRE	1		
	97	QUQB12-1020CJ	FFC WIRE	1		
	98	SA-Y-6-06-PH-06	SA-PH CONNECTOR	1		
	99	SC-J-2-10-EH-02	SC-EH WIRE	1		
△	100	QMF51E2-R40-J1	FUSE	1	F901	
△	101	QMF51E2-5R0-J1	FUSE	1	F903	
△	102	VTP66J2-12L	POWER TRANS	1	T901	

CD mechanism assembly and parts list

Block No. M 2 M M

Grease point
 FG-87HS
 (Grease to apply have to be a little for the exchange.)



EXL-M7GB

Parts list (CD mechanism)

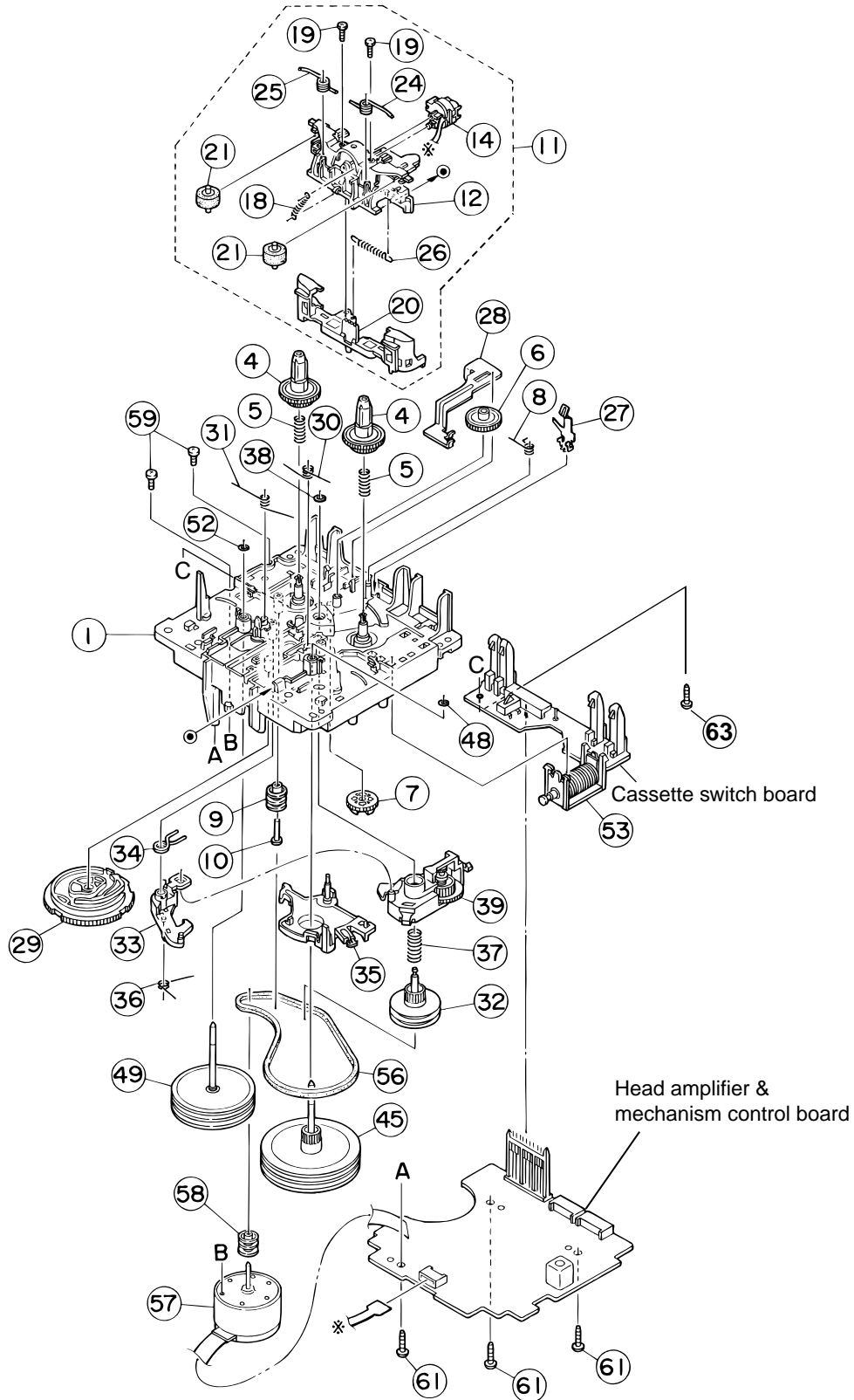
Block No. M2MM

Item	Parts number	Parts name	Q'ty	Description	Area
1	E102501-331SC	MECHA BASE ASSY	1		
2	OPTIMA-7B	OPTICAL PICK UP	1		
3	E407782-003SC	CD SHAFT	1		
4	HQN300031-001PK	CD RACK GEAR	1		
5	E307745-332SC	MECHA GEAR	1		
6	QYSDSP2003N	SCREW	4		
7	E406750-332SC	PINION GEAR	1		
8	EPB-001PK	TURN TABLE ASSY	1		
9	E406784-001	FEED MOTOR	1		
10	QAR0130-001	SPPINDLE MOTOR	1		
11	EMW10190-001	P.C. BOARD	1		
12	QGA2001F1-06	6P PLUG ASSY	1	FOR P011	
13	QSW0506-001	LEAF SWICH	1	FOR S001	
14	E75832-221	SPECIAL SCREW	1	FOR P.C. BOARD	

Cassette mechanism assembly and parts list

Block No. M 3 M M

SLC-S1YPM



Parts list (Cassette mechanism)

Block No. M2MM

△	Item	Parts number	Parts name	Q'ty	Description	Area
	1	VKS1165-00G	CHASSIS B.ASS'Y	1		
	4	VKS2274-002	REEL GEAR	2		
	5	VKW5286-002	B.T. SPRING	2		
	6	VKS5559-001	PLAY IDLE GEAR	1		
	7	VKS5597-00A	BUND ASS'Y	1		
	8	VKW5296-001	EARTH SPRING	1		
	9	VKR4749-003	IDLE PULLEY	1		
	10	VKH5786-003	SHAFT	1		
	11	VKS2275-00E	HEAD MOUNT ASSY	1		
	12	VKS1167-003	HEAD MOUNT BASE	1		
	14	LV41089-001A	R/P&E HEAD	1	VKS2275-00B	
	18	VKW5302-001	HEAD SPRING	1		
	19	VKZ4730-001	SPECIAL SCREW	2		
	20	VKS2277-005	DIRECTION LEVER	1		
	21	VKP4233-00A	PINCH ROL. ASSY	2		
	24	VKW5299-002	PIN ROL.SP.(R)	1		
	25	VKW5300-002	PIN ROL.SP.(L)	1		
	26	VKW5285-001	RETURN SPRING	1		
	27	VKY3149-002	CASSETTE SP.	1		
	28	VKM3906-002	PLAY SW LEVER	1		
	29	VKS1166-003	CONTROL CAM	1		
	30	VKW5279-001	HEAD BASE SP(R)	1		
	31	VKW5280-001	HEAD BASE SP(L)	1		
	32	VKS5603-00D	MAIN PULLEY ASY	1		
	33	VKS3785-001MM	FR ARM	1		
	34	VKW5284-002	SWING SPRING	1		
	35	VKS2278-003	TRIGGER ARM	1		
	36	VKW5301-001	FR SPRING	1		
	37	VKW5266-001	ELEVATOR SPRING	1		
	38	WDL214025	WASHER	1		
	39	VKS3786-00G	CLUTCH ASS'Y	1		
	45	VKF3205-00B	F.WHEEL ASSY(R)	1		
	48	WDL183425	SLIT WASHER	1		
	49	VKF3207-00B	F.WHEEL ASSY(L)	1		
	52	WDL173525-6	SLIT WASHER	1		
	53	VKZ3174-00A	DC SOLENOID	1		
	56	VKB3000-181	CAPSTAN BELT	1		
	57	MSI-5U2LWA	D.C.MOTOR ASS'Y	1		
	58	VKR4761-001	MOTOR PULLEY	1		
	59	QYSPSP2604Z	SCREW	2		
	61	QYSBSF2608Z	T.SCREW	3	FOR P.W.B.	
	63	QYSBSF2006Z	SCREW	1		

Grease point 1/3

- Grease
- * EM-30L
 - UD-24
 - ◆ LEN-320M

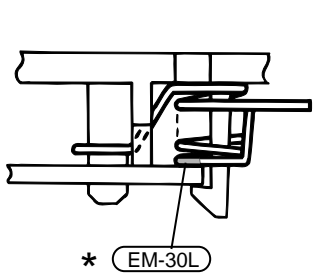


Fig.1

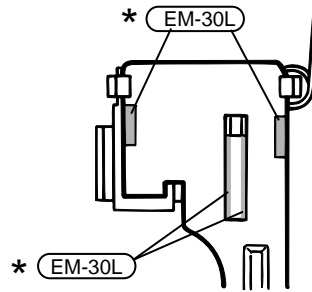


Fig.2

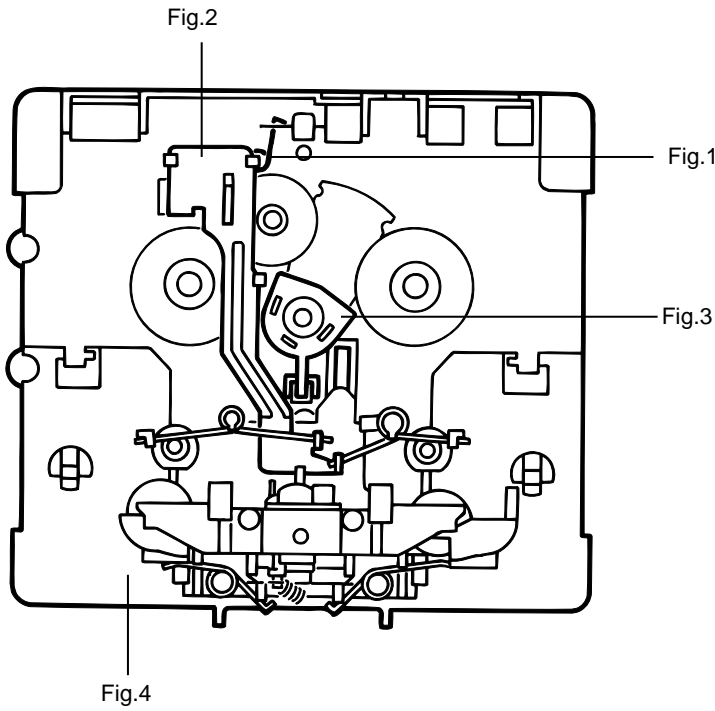


Fig.4

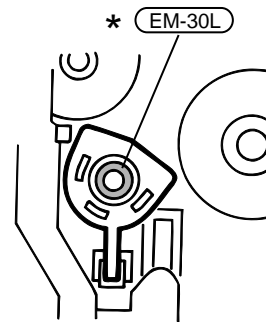


Fig.3

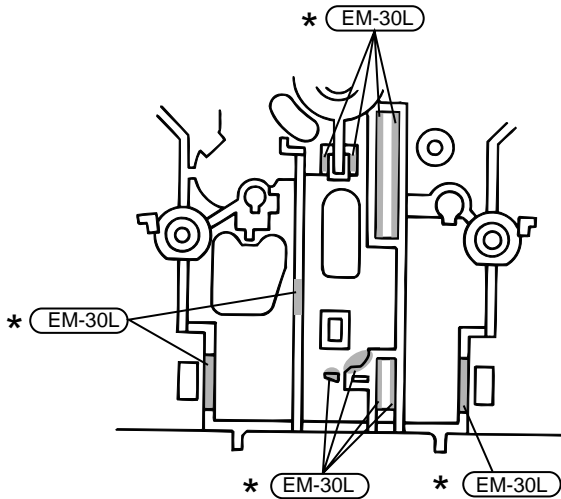


Fig.4

(Remove the Head mount Ass'y on the Chasis Base)

Grease point 2/3

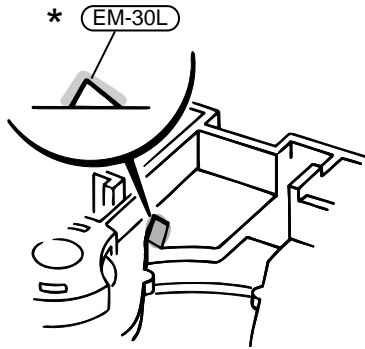


Fig.5

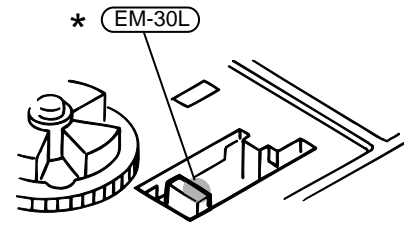


Fig.1

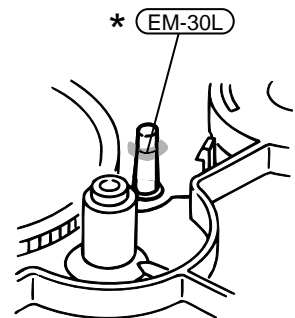
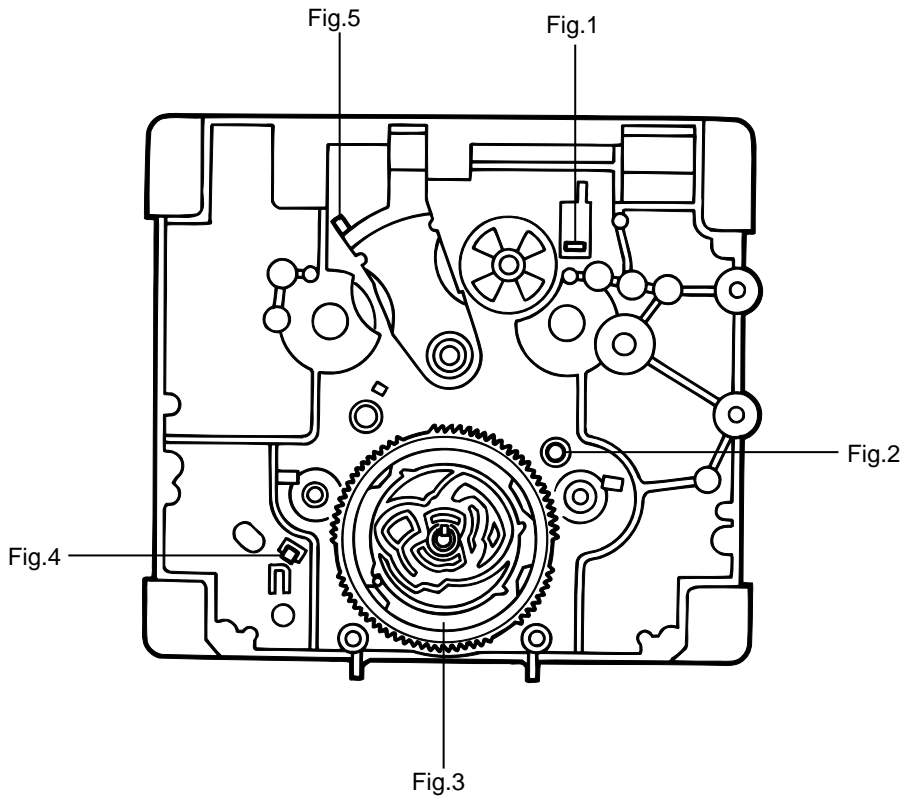


Fig.2

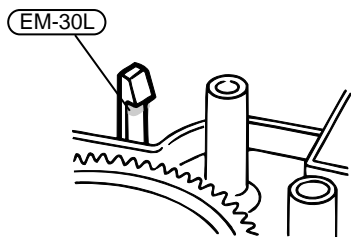


Fig.4

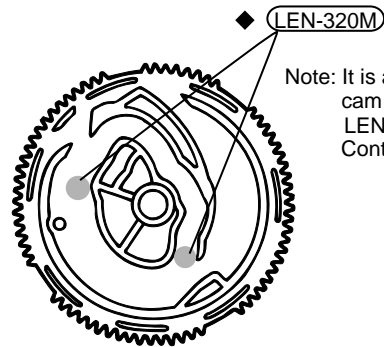


Fig.3

Note: It is a putting up of the control cam to UD-24H(Hanarl) and LEN-320M(Grease)dipping on the Control cam

Grease point 3/3

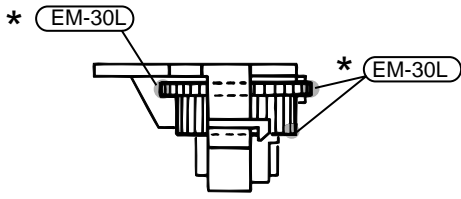


Fig.1

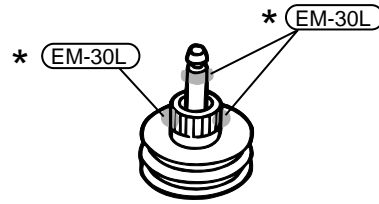


Fig.2

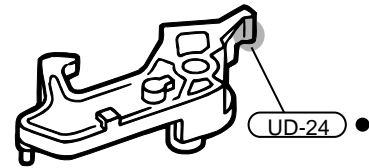
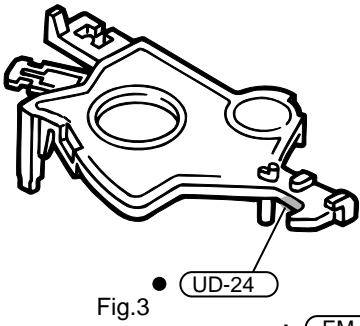
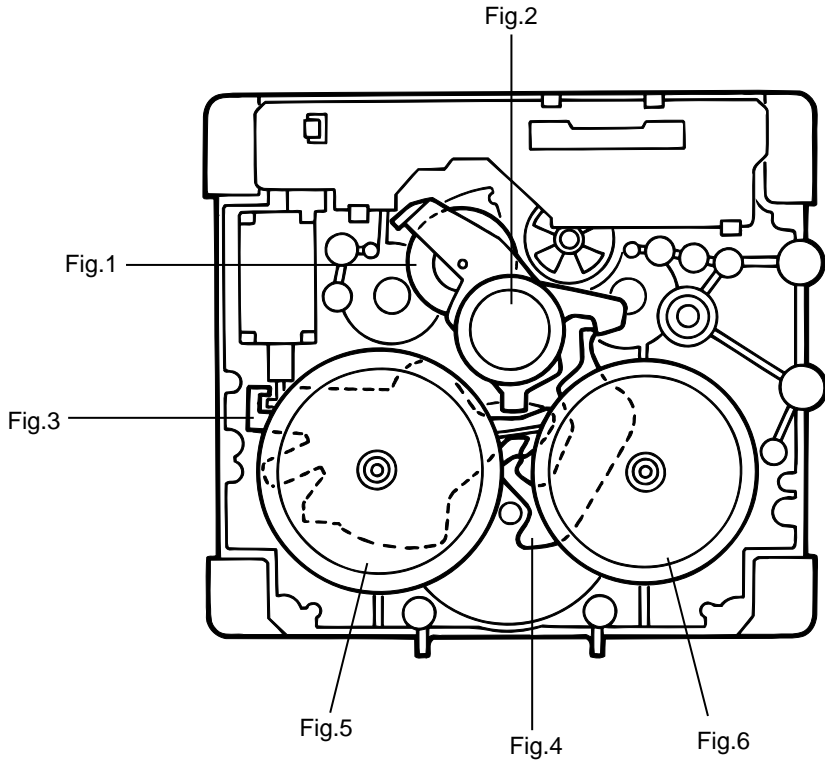


Fig.4

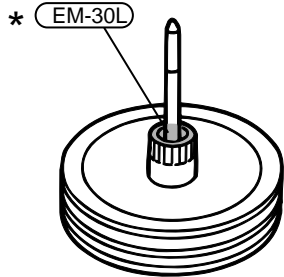


Fig.5

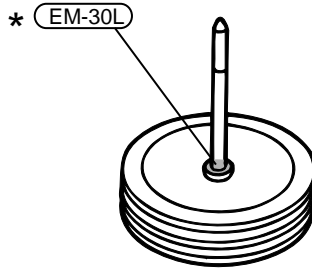


Fig.6

■ Electrical parts list (Main board)

Block No. 01

△	Item	Parts number	Parts name	Remarks	Area	△	Item	Parts number	Parts name	Remarks	Area
△	C 901	QFLC1HJ-104Z	M CAPACITOR	.10MF 5% 50V			C3070	QER41HM-105	E CAPACITOR	1.0MF 20% 50V	
△	C 902	QFLC1HJ-104Z	M CAPACITOR	.10MF 5% 50V			C3081	QETC1CM-227Z-JB	E CAPACITOR	220MF 20% 16V	
△	C 903	QFLC1HJ-104Z	M CAPACITOR	.10MF 5% 50V			C3083	QETC1HM-474Z-JB	E CAPACITOR	.47MF 20% 50V	
△	C 904	QFLC1HJ-104Z	M CAPACITOR	.10MF 5% 50V			C3084	QETC1HM-474Z-JB	E CAPACITOR	.47MF 20% 50V	
	CN301	QGB1214J1-20S	CONNECTOR				C3085	QETC1HM-474Z-JB	E CAPACITOR	.47MF 20% 50V	
	CN302	QGB1214J1-06S	CONNECTOR				C3086	QETC1EM-106Z-JB	CAPACITOR	10MF 20% 25V	
	CN303	QGF1205C1-10	CONNECTOR				C3087	QETC1HM-224Z-JB	E CAPACITOR	.22MF 20% 50V	
	CN304	QGF1205C1-07	CONNECTOR				C9001	QETC1CM-226Z-JB	E CAPACITOR	22MF 20% 16V	
	CN901	QGA2501C4-02	CONNECTOR				C9003	QDYB1CM-103Y	C.CAPACITOR		
	C1001	QCB1HK-101Y	C CAPACITOR	100PF 10% 50V			C9004	QCB1HK-221Y	C CAPACITOR	220PF 10% 50V	
	C1002	QDX31EM-104Z	C.CAPA I.M				C9201	QETC1CM-476Z-JB	E CAPACITOR	47MF 20% 16V	
	C1003	QDX31EM-104Z	C.CAPA I.M				C9202	QDYB1CM-103Y	C.CAPACITOR		
	C1006	QTE1C03-106Z	E CAPACITOR				C9203	QETC1CM-106Z-JB	E CAPACITOR	10MF 20% 16V	
	C1021	QFN31HJ-823Z	M CAPACITOR	.082MF 5% 50V			C9301	QETC1AM-107Z-JB	E CAPACITOR	100MF 20% 10V	
	C1022	QFN31HJ-823Z	M CAPACITOR	.082MF 5% 50V			C9302	QETC1HM-475Z-JB	E CAPACITOR	4.7MF 20% 50V	
	C1025	QTE1A03-226Z	E CAPACITOR				C9501	QETC1AM-477Z-JB	E CAPACITOR	470MF 20% 10V	
	C1026	QFV1HJ-334Z	M.CAPACITOR	.33MF 5% 50V		△	D 901	6A10E2	SI DIODE		
	C1051	QCS11HJ-100	C CAPACITOR	10PF 5% 50V		△	D 902	6A10E2	SI DIODE		
	C1053	QTE1C03-106Z	E CAPACITOR			△	D 903	6A10E2	SI DIODE		
	C1054	QFN31HJ-392Z	M.CAPA. I.M	3900PF 5% 50V		△	D 904	6A10E2	SI DIODE		
	C1055	QETC1EM-475Z-JB	E CAPACITOR	4.7MF 20% 25V		△	D 905	6A10E2	SI DIODE		
	C1056	QTE1C03-106Z	E CAPACITOR				D3021	MTZJ4.3B-T2	ZENER DIODE		
	C1070	QETC1EM-475Z-JB	E CAPACITOR	4.7MF 20% 25V			D3031	1SS254-T2	SI DIODE		
	C1082	QFLC1HJ-563Z	TF CAPACITOR	.056MF 5% 50V			D3032	1SS254-T2	SI DIODE		
	C1083	QFLC1HJ-563Z	TF CAPACITOR	.056MF 5% 50V			D3033	1SS254-T2	SI DIODE		
	C1084	QFN31HJ-472Z	M CAPACITOR	4700PF 5% 50V			D3034	1SS254-T2	SI DIODE		
	C2001	QCB1HK-101Y	C CAPACITOR	100PF 10% 50V			D3070	MTZJ6.8B-T2	NER DIODE		
	C2002	QDX31EM-104Z	C.CAPA I.M				D9001	1SS254-T2	SI DIODE		
	C2003	QDX31EM-104Z	C.CAPA I.M				D9002	MTZJ8.2C-T2	ZENER DIODE		
	C2006	QTE1C03-106Z	E CAPACITOR				D9003	MTZJ10A-T2	ZENER DIODE		
	C2021	QFN31HJ-823Z	M CAPACITOR	.082MF 5% 50V			D9102	1SR35-100A-T5	SI DIODE		
	C2022	QFN31HJ-823Z	M CAPACITOR	.082MF 5% 50V			D9201	MTZJ4.3B-T2	ZENER DIODE		
	C2025	QTE1A03-226Z	E CAPACITOR				D9301	MTZJ3.9B-T2	Z DIODE IM		
	C2026	QFV1HJ-334Z	M.CAPACITOR	.33MF 5% 50V			D9302	1SS254-T2	SI DIODE		
	C2051	QCS11HJ-100	C CAPACITOR	10PF 5% 50V			D9303	1SS254-T2	SI DIODE		
	C2053	QTE1C03-106Z	E CAPACITOR				D9501	1SS254-T2	SI DIODE		
	C2054	QFN31HJ-392Z	M.CAPA. I.M	3900PF 5% 50V		△	IC 31	LA4705NA	IC		
	C2055	QETC1EM-475Z-JB	E CAPACITOR	4.7MF 20% 25V			IC 32	BA15218N	IC		
	C2056	QTE1C03-106Z	E CAPACITOR				IC 35	BA15218N	IC		
	C2070	QETC1EM-475Z-JB	E CAPACITOR	4.7MF 20% 25V			IC 38	BH3852S	IC		
	C2082	QFLC1HJ-563Z	TF CAPACITOR	.056MF 5% 50V		△	J 901	QNC0001-001	AC INRET		
	C2083	QFLC1HJ-563Z	TF CAPACITOR	.056MF 5% 50V		△	J 902	QNA0016-001	DC JACK		
	C2084	QFN31HJ-472Z	M CAPACITOR	4700PF 5% 50V			J3001	QNN0090-001	PIN JACK	KUNMING HSP-242	
	C3001	QETM1EM-688	E CAPACITOR	6800MF 20% 25V			J3002	QNB0035-001	SPK TERMINAL	KUNMIG HSP-324V	
	C3002	QFLC1HJ-104Z	M CAPACITOR	.10MF 5% 50V			J3003	QNS0072-001	HEADPHONE JACK		
	C3003	QETC1CM-107Z-JB	E.CAPACITOR	100MF 20% 16V			K9401	QQR0786-001Z	INDUCTOR		
	C3004	QETC1AM-337Z-JB	E CAPACITOR	330MF 20% 10V			L3070	QQR0868-001Z	INDUCTOR		
	C3005	QETC1AM-336Z-JB	E CAPACITOR	33MF 20% 10V			Q1010	2SD2144S/VW-T	TRANSISTOR		
	C3006	QETC1HM-225Z-JB	E CAPACITOR	2.2MF 20% 50V			Q1031	KTC3199/GL-T	TRANSISTOR		
	C3010	QETC1HM-684Z	E.CAPACITOR	.68MF 20% 50V			Q1041	2SC2001/LK-T	TRANSISTOR		
	C3011	QDYB1CM-103Y	C.CAPACITOR				Q1070	KTC3199/GL-T	TRANSISTOR		
	C3021	QETC1CM-476Z-JB	E CAPACITOR	47MF 20% 16V			Q2010	2SD2144S/VW-T	TRANSISTOR		
	C3022	QETC1AM-476Z-JB	E CAPACITOR	47MF 20% 10V			Q2031	KTC3199/GL-T	TRANSISTOR		
	C3031	QETC1HM-105Z-JB	E CAPACITOR	1.0MF 20% 50V			Q2041	2SC2001/LK-T	TRANSISTOR		
	C3032	QETC1HM-105Z-JB	E CAPACITOR	1.0MF 20% 50V			Q2070	KTC3199/GL-T	TRANSISTOR		
	C3033	QFLC1HJ-563Z	TF CAPACITOR	.056MF 5% 50V			Q3010	KTC3199/GL-T	TRANSISTOR		
	C3034	QFLC1HJ-563Z	TF CAPACITOR	.056MF 5% 50V			Q3041	KRA101M-T	TR I/M		
	C3035	QETC1HM-105Z-JB	E CAPACITOR	1.0MF 20% 50V			Q3070	KRA101M-T	TR I/M		
	C3036	QETC1CM-106Z-JB	E CAPACITOR	10MF 20% 16V		△	Q9001	2SB1565/EF/	TRANSISTOR		
	C3037	QETC1CM-106Z-JB	E CAPACITOR	10MF 20% 16V			Q9002	KTC3199/GL-T	TRANSISTOR		
	C3041	QETC1EM-106Z-JB	CAPACITOR	10MF 20% 25V			Q9003	KTA1267/YG-T	TRANSISTOR		
	C3051	QETC1CM-476Z-JB	E CAPACITOR	47MF 20% 16V			Q9004	KRC114M-T	TR I.M	*	
	C3052	QETC1CM-476Z-JB	E CAPACITOR	47MF 20% 16V			Q9005	DTA144TSA-T	D.TR.I.M		

■ Electrical parts list (Main board)

Block No. 01

△	Item	Parts number	Parts name	Remarks	Area
	Q9006	KTC3199/GL-T	TRANSISTOR		
	Q9007	KTC3199/GL-T	TRANSISTOR		
△	Q9201	2SA1359/OY/	TRANSISTOR		
	Q9202	KTC3199/GL-T	TRANSISTOR		
	Q9301	KTA1267/YG-T	TRANSISTOR		
	Q9302	KTC3199/GL-T	TRANSISTOR		
	Q9501	2SC2001/LK/-T	TRANSISTOR		
	R1001	QRE141J-2R2Y	C RESISTOR	2.2 5% 1/4W	
	R1002	QRE141J-2R2Y	C RESISTOR	2.2 5% 1/4W	
	R1003	QRE141J-151Y	C RESISTOR	150 5% 1/4W	
	R1004	QRE141J-471Y	C RESISTOR	470 5% 1/4W	
	R1011	QRE141J-224Y	C RESISTOR	220K 5% 1/4W	
	R1012	QRE141J-623Y	C RESISTOR	62K 5% 1/4W	
	R1013	QRE141J-153Y	C RESISTOR	15K 5% 1/4W	
	R1014	QRE141J-272Y	C RESISTOR	2.7K 5% 1/4W	
	R1015	QRE141J-153Y	C RESISTOR	15K 5% 1/4W	
	R1022	QRE141J-224Y	C RESISTOR	220K 5% 1/4W	
	R1023	QRE141J-182Y	C RESISTOR	1.8K 5% 1/4W	
	R1024	QRE141J-202Y	C RESISTOR	2.0K 5% 1/4W	
	R1026	QRE141J-153Y	C RESISTOR	15K 5% 1/4W	
	R1027	QRE141J-103Y	C RESISTOR	10K 5% 1/4W	
	R1028	QRE141J-472Y	C RESISTOR	4.7K 5% 1/4W	
	R1029	QRE141J-472Y	C RESISTOR	4.7K 5% 1/4W	
	R1031	QRE141J-223Y	C RESISTOR	22K 5% 1/4W	
	R1032	QRE141J-223Y	C RESISTOR	22K 5% 1/4W	
	R1033	QRE141J-103Y	C RESISTOR	10K 5% 1/4W	
	R1041	QRE141J-472Y	C RESISTOR	4.7K 5% 1/4W	
	R1051	QRE141J-154Y	C RESISTOR	150K 5% 1/4W	
	R1052	QRE141J-102Y	C RESISTOR	1.0K 5% 1/4W	
	R1054	QRE141J-472Y	C RESISTOR	4.7K 5% 1/4W	
	R1055	QRE141J-332Y	C RESISTOR	3.3K 5% 1/4W	
	R1056	QRE141J-103Y	C RESISTOR	10K 5% 1/4W	
	R1057	QRE141J-124Y	C RESISTOR	120K 5% 1/4W	
	R1058	QRE141J-823Y	C RESISTOR	82K 5% 1/4W	
	R1070	QRE141J-183Y	C RESISTOR	18K 5% 1/4W	
	R1071	QRE141J-153Y	C RESISTOR	15K 5% 1/4W	
	R1072	QRE141J-272Y	C RESISTOR	2.7K 5% 1/4W	
	R1073	QRE141J-102Y	C RESISTOR	1.0K 5% 1/4W	
	R1074	QRE141J-152Y	C RESISTOR	1.5K 5% 1/4W	
	R1082	QRE141J-302Y	C RESISTOR	3.0K 5% 1/4W	
	R1083	QRE141J-182Y	C RESISTOR	1.8K 5% 1/4W	
	R1091	QRE141J-333Y	C RESISTOR	33K 5% 1/4W	
	R1093	QRE141J-103Y	C RESISTOR	10K 5% 1/4W	
	R2001	QRE141J-2R2Y	C RESISTOR	2.2 5% 1/4W	
	R2002	QRE141J-2R2Y	C RESISTOR	2.2 5% 1/4W	
	R2003	QRE141J-151Y	C RESISTOR	150 5% 1/4W	
	R2004	QRE141J-471Y	C RESISTOR	470 5% 1/4W	
	R2011	QRE141J-224Y	C RESISTOR	220K 5% 1/4W	
	R2012	QRE141J-623Y	C RESISTOR	62K 5% 1/4W	
	R2013	QRE141J-153Y	C RESISTOR	15K 5% 1/4W	
	R2014	QRE141J-272Y	C RESISTOR	2.7K 5% 1/4W	
	R2015	QRE141J-153Y	C RESISTOR	15K 5% 1/4W	
	R2022	QRE141J-224Y	C RESISTOR	220K 5% 1/4W	
	R2023	QRE141J-182Y	C RESISTOR	1.8K 5% 1/4W	
	R2024	QRE141J-202Y	C RESISTOR	2.0K 5% 1/4W	
	R2026	QRE141J-153Y	C RESISTOR	15K 5% 1/4W	
	R2027	QRE141J-103Y	C RESISTOR	10K 5% 1/4W	
	R2028	QRE141J-472Y	C RESISTOR	4.7K 5% 1/4W	
	R2029	QRE141J-472Y	C RESISTOR	4.7K 5% 1/4W	
	R2031	QRE141J-223Y	C RESISTOR	22K 5% 1/4W	
	R2032	QRE141J-223Y	C RESISTOR	22K 5% 1/4W	
	R2033	QRE141J-103Y	C RESISTOR	10K 5% 1/4W	
	R2041	QRE141J-472Y	C RESISTOR	4.7K 5% 1/4W	

△	Item	Parts number	Parts name	Remarks	Area
	R2051	QRE141J-154Y	C RESISTOR	150K 5% 1/4W	
	R2052	QRE141J-102Y	C RESISTOR	1.0K 5% 1/4W	
	R2054	QRE141J-472Y	C RESISTOR	4.7K 5% 1/4W	
	R2055	QRE141J-332Y	C RESISTOR	3.3K 5% 1/4W	
	R2056	QRE141J-103Y	C RESISTOR	10K 5% 1/4W	
	R2057	QRE141J-124Y	C RESISTOR	120K 5% 1/4W	
	R2058	QRE141J-823Y	C RESISTOR	82K 5% 1/4W	
	R2070	QRE141J-183Y	C RESISTOR	18K 5% 1/4W	
	R2071	QRE141J-153Y	C RESISTOR	15K 5% 1/4W	
	R2072	QRE141J-272Y	C RESISTOR	2.7K 5% 1/4W	
	R2073	QRE141J-102Y	C RESISTOR	1.0K 5% 1/4W	
	R2074	QRE141J-152Y	C RESISTOR	1.5K 5% 1/4W	
	R2082	QRE141J-302Y	C RESISTOR	3.0K 5% 1/4W	
	R2083	QRE141J-182Y	C RESISTOR	1.8K 5% 1/4W	
	R2091	QRE141J-333Y	C RESISTOR	33K 5% 1/4W	
	R2093	QRE141J-103Y	C RESISTOR	10K 5% 1/4W	
	R3001	QRE141J-103Y	C RESISTOR	10K 5% 1/4W	
	R3010	QRE141J-103Y	C RESISTOR	10K 5% 1/4W	
	R3021	QRE141J-101Y	C RESISTOR	100 5% 1/4W	
	R3022	QRE141J-152Y	C RESISTOR	1.5K 5% 1/4W	
	R3031	QRE141J-472Y	C RESISTOR	4.7K 5% 1/4W	
	R3032	QRE141J-472Y	C RESISTOR	4.7K 5% 1/4W	
	R3033	QRE141J-124Y	C RESISTOR	120K 5% 1/4W	
	R3034	QRE141J-154Y	C RESISTOR	150K 5% 1/4W	
	R3035	QRE141J-223Y	C RESISTOR	22K 5% 1/4W	
	R3036	QRE141J-513Y	C RESISTOR	51K 5% 1/4W	
	R3051	QRE141J-101Y	C RESISTOR	100 5% 1/4W	
	R3052	QRE141J-473Y	C RESISTOR	47K 5% 1/4W	
	R3053	QRE141J-473Y	C RESISTOR	47K 5% 1/4W	
	R3081	QRE141J-101Y	C RESISTOR	100 5% 1/4W	
	R3082	QRE141J-124Y	C RESISTOR	120K 5% 1/4W	
	R3083	QRE141J-154Y	C RESISTOR	150K 5% 1/4W	
	R3084	QRE141J-124Y	C RESISTOR	120K 5% 1/4W	
	R9001	QRE141J-1R0Y	C RESISTOR	1.0 5% 1/4W	
	R9002	QRE141J-1R0Y	C RESISTOR	1.0 5% 1/4W	
	R9003	QRE141J-1R0Y	C RESISTOR	1.0 5% 1/4W	
	R9004	QRE141J-471Y	C RESISTOR	470 5% 1/4W	
	R9005	QRE141J-152Y	C RESISTOR	1.5K 5% 1/4W	
	R9006	QRE141J-242Y	C RESISTOR	2.4K 5% 1/4W	
	R9007	QRE141J-102Y	C RESISTOR	1.0K 5% 1/4W	
	R9008	QRE141J-682Y	C RESISTOR	6.8K 5% 1/4W	
	R9012	QRE141J-472Y	C RESISTOR	4.7K 5% 1/4W	
	R9013	QRE141J-471Y	C RESISTOR	470 5% 1/4W	
	R9014	QRE141J-472Y	C RESISTOR	4.7K 5% 1/4W	
	R9016	QRE141J-472Y	C RESISTOR	4.7K 5% 1/4W	
	R9017	QRE141J-472Y	C RESISTOR	4.7K 5% 1/4W	
	R9018	QRE141J-103Y	C RESISTOR	10K 5% 1/4W	
	R9019	QRE141J-391Y	C RESISTOR	390 5% 1/4W	
	R9021	QRZ9005-680X	F.RES I/M	68 1/0W	
	R9201	QRE141J-103Y	C RESISTOR	10K 5% 1/4W	
	R9202	QRE141J-103Y	C RESISTOR	10K 5% 1/4W	
	R9203	QRE141J-221Y	C RESISTOR	220 5% 1/4W	
	R9301	QRE141J-472Y	C RESISTOR	4.7K 5% 1/4W	
	R9302	QRE141J-333Y	C RESISTOR	33K 5% 1/4W	
	R9303	QRE141J-102Y	C RESISTOR	1.0K 5% 1/4W	
	R9304	QRE141J-390Y	C RESISTOR	39 5% 1/4W	
△	R9401	QRZ9006-4R7X	F RESISTOR	4.7 1/0W	
	R9501	QRE141J-221Y	C RESISTOR	220 5% 1/4W	
	Z 901	QNG0003-001Z	FUSE CLIP		
	Z 903	QNG0003-001Z	FUSE CLIP		
	Z 911	QNG0003-001Z	FUSE CLIP		
	Z 913	QNG0003-001Z	FUSE CLIP		

■ Electrical parts list (Micon board)

Block No. 02

△	Item	Parts number	Parts name	Remarks	Area
	C 604	QEK61AM-107Z-JB	E.CAPA I.M	100MF 20% 10V	
	C 605	QETC1EM-106Z-JB	CAPACITOR	10MF 20% 25V	
	C 606	QDGB1HK-102Y	C CAPACITOR		
	C 607	QDGB1HK-102Y	C CAPACITOR		
	C 608	QETC1HM-105Z-JB	E CAPACITOR	1.0MF 20% 50V	
	C 609	QCBB1HK-101Y	C CAPACITOR	100PF 10% 50V	
	C 610	QFN31HJ-273Z	M CAPACITOR	.027MF 5% 50V	
	C 611	QDXB1CM-472Y	C CAPACITOR		
	C 612	QDYB1CM-103Y	C.CAPACITOR		
	C 613	QCBB1HK-331Y	C CAPACITOR	330PF 10% 50V	
	C 614	QFLC1HJ-104Z	M CAPACITOR	.10MF 5% 50V	
	C 615	QDVB1EZ-223Y	C CAPACITOR		
	C 616	QDVB1EZ-223Y	C CAPACITOR		
	C 617	QDVB1EZ-223Y	C CAPACITOR		
	C 618	QDXB1CM-222Y	C.CAPA IM		
	C 619	QCBB1HK-271Y	C CAPACITOR	270PF 10% 50V	
	C 620	QCBB1HK-181Y	C CAPACITOR	180PF 10% 50V	
	C 622	QETC1AM-476Z-JB	E CAPACITOR	47MF 20% 10V	
	C 623	QFLC1HJ-104Z	M CAPACITOR	.10MF 5% 50V	
	C 624	QDVB1EZ-223Y	C CAPACITOR		
	C 628	QDX31EM-473Z	C.CAPACITOR		
	C 629	QETC1AM-107Z-JB	E CAPACITOR	100MF 20% 10V	
	C 631	QETC1AM-477Z-JB	E CAPACITOR	470MF 20% 10V	
	C 632	QEK61AM-107Z-JB	E.CAPA I.M	100MF 20% 10V	
	C 633	QCBB1HK-101Y	C CAPACITOR	100PF 10% 50V	
	C 634	QCBB1HK-101Y	C CAPACITOR	100PF 10% 50V	
	C 635	QCBB1HK-101Y	C CAPACITOR	100PF 10% 50V	
	C 636	QCBB1HK-101Y	C CAPACITOR	100PF 10% 50V	
	C 637	QDYB1CM-822Y	C.CAPA IM		
	C 651	QCSB1HJ-120Y	C CAPACITOR	12PF 5% 50V	
	C 652	QCS11HJ-150	C CAPACITOR	15PF 5% 50V	
	C 653	QDVB1EZ-223Y	C CAPACITOR		
	C 655	QDX31EM-473Z	C.CAPACITOR		
	C 661	QCBB1HK-471Y	C CAPACITOR	470PF 10% 50V	
	C 662	QDVB1EZ-223Y	C CAPACITOR		
	C 663	QFN31HJ-223Z	M CAPACITOR	.022MF 5% 50V	
	C 664	QDVB1EZ-223Y	C CAPACITOR		
	C 665	QFVJ1HJ-104Z	TF CAPACITOR	.10MF 5% 50V	
	C 671	QDXB1CM-152Y	C.CAPA IM		
	C 672	QDXB1CM-152Y	C.CAPA IM		
	C 673	QTE1C05-227	E CAPACITOR		
	C 674	QDVB1EZ-223Y	C CAPACITOR		
	C 675	QDGB1HK-102Y	C CAPACITOR	AG-DG	
	C 676	QDGB1HK-102Y	C CAPACITOR	AG-DG	
	C 691	QCBB1HK-151Y	C CAPACITOR	DENGEN NOISE	
	C 692	QCBB1HK-151Y	C CAPACITOR	DENGEN NOISE	
	C 693	QCBB1HK-151Y	C CAPACITOR	DENGEN NOISE	
	CN601	QGF1008F1-15	21-41 CONNECTOR	TO RF	
	CN603	QGF1205F1-07	CONNECTOR	TO AUDIO	
	CN604	QGF1205F1-11	CONNECTOR	TO MICON	
	CN605	QGA2501F1-03	CONNECTOR	TO DIGITAL OUT	
	D 661	1SS254-T2	SI DIODE		
	IC601	AN8806SB	IC	RF AMP	
	IC602	BA6897FP	IC		
	IC603	MN35510	IC	1CHIP PROCESSER	
	Q 601	2SA952/LK/-T	TRANSISTOR		
	Q 631	2SA952/LK/-T	TRANSISTOR		
	R 601	QRE141J-113Y	C RESISTOR	11K 5% 1/4W	
	R 603	QRE141J-125Y	C RESISTOR	1.2M 5% 1/4W	
	R 605	QRE141J-274Y	C RESISTOR	270K 5% 1/4W	
	R 606	QRE141J-154Y	C RESISTOR	150K 5% 1/4W	
	R 607	QRE141J-273Y	C RESISTOR	27K 5% 1/4W	
	R 609	QRE141J-104Y	C RESISTOR	100K 5% 1/4W	

△	Item	Parts number	Parts name	Remarks	Area
	R 610	QRE141J-154Y	C RESISTOR	150K 5% 1/4W	
	R 612	QRE141J-102Y	C RESISTOR	1.0K 5% 1/4W	
	R 613	QRE141J-121Y	C RESISTOR	120 5% 1/4W	
	R 614	QRE141J-100Y	C RESISTOR	10 5% 1/4W	
	R 615	QRE141J-120Y	C RESISTOR	12 5% 1/4W	
	R 616	QRE141J-910Y	C RESISTOR	91 5% 1/4W	
	R 621	QRE141J-330Y	C RESISTOR	33 5% 1/4W	
	R 622	QRE141J-330Y	C RESISTOR	33 5% 1/4W	
	R 623	QRE141J-330Y	C RESISTOR	33 5% 1/4W	
	R 631	QRE141J-331Y	C RESISTOR	330 5% 1/4W	
	R 632	QRE141J-101Y	C RESISTOR	100 5% 1/4W	
	R 633	QRE141J-273Y	C RESISTOR	27K 5% 1/4W	
	R 634	QRE141J-222Y	C RESISTOR	2.2K 5% 1/4W	
	R 641	QRE141J-563Y	C RESISTOR	56K 5% 1/4W	
	R 642	QRE141J-123Y	C RESISTOR	12K 5% 1/4W	
	R 643	QRE141J-822Y	C RESISTOR	8.2K 5% 1/4W	
	R 644	QRE141J-223Y	C RESISTOR	22K 5% 1/4W	
	R 645	QRE141J-223Y	C RESISTOR	22K 5% 1/4W	
	R 646	QRE141J-222Y	C RESISTOR	2.2K 5% 1/4W	
	R 647	QRE141J-472Y	C RESISTOR	4.7K 5% 1/4W	
	R 651	QRE141J-102Y	C RESISTOR	1.0K 5% 1/4W	
	R 652	QRE141J-102Y	C RESISTOR	1.0K 5% 1/4W	
	R 653	QRE141J-102Y	C RESISTOR	1.0K 5% 1/4W	
	R 654	QRE141J-102Y	C RESISTOR	1.0K 5% 1/4W	
	R 655	QRE141J-471Y	C RESISTOR	470 5% 1/4W	
	R 659	QRE141J-471Y	C RESISTOR	470 5% 1/4W	
	R 661	QRE141J-683Y	C RESISTOR	68K 5% 1/4W	
	R 662	QRE141J-155Y	C RESISTOR	1.5M 5% 1/4W	
	R 663	QRE141J-124Y	C RESISTOR	120K 5% 1/4W	
	R 664	QRE141J-471Y	C RESISTOR	470 5% 1/4W	
	R 666	QRE141J-220Y	C RESISTOR	22 5% 1/4W	
	R 671	QRE141J-102Y	C RESISTOR	1.0K 5% 1/4W	
	R 672	QRE141J-102Y	C RESISTOR	1.0K 5% 1/4W	
	R 681	QRE141J-474Y	C RESISTOR	470K 5% 1/4W	
	X 651	QAX0378-001	RESONATOR	16.9344MHZ	

■ Electrical parts list (Tuner board)

Block No. 03

△	Item	Parts number	Parts name	Remarks	Area
C	1	NCB21HK-223X	C CAPACITOR		
C	3	NCB21EK-473X	C CAPACITOR		
C	4	NCB21HK-103X	C CAPACITOR		
C	5	QEK61CM-106Z-JB	E.CAPA I.M	10MF 20% 16V	
C	8	NCB21HK-103X	C CAPACITOR		
C	9	NCB21HK-102X	C CAPACITOR		
C	21	NCB21EK-473X	C CAPACITOR		
C	23	NCS21HJ-3R0X	C CAPACITOR		
C	30	QEK61CM-476Z-JB	E.CAPA I.M	47MF 20% 16V	
C	31	NCS21HJ-2R0X	C CAPACITOR		
C	32	NCB21HK-102X	C CAPACITOR		
C	33	QEK61AM-107Z-JB	E.CAPA I.M	100MF 20% 10V	
C	34	NCS21HJ-150X	C CAPACITOR		
C	35	NCB21HK-102X	C CAPACITOR		
C	36	QEK61CM-106Z-JB	E.CAPA I.M	10MF 20% 16V	
C	37	NCB21EK-473X	C CAPACITOR		
C	39	NCB21EK-473X	C CAPACITOR		
C	40	NCB21HK-103X	C CAPACITOR		
C	41	QEK61HM-104Z-JB	E.CAPA I.M	.10MF 20% 50V	
C	42	QEK61HM-474Z-JB	E.CAPA I.M	.47MF 20% 50V	
C	44	NCS21HJ-221X	C CAPACITOR		
C	45	QEK61HM-335Z-JB	E.CAPA I.M	3.3MF 20% 50V	
C	46	NCB21HK-223X	C CAPACITOR		
C	47	NCB21HK-103X	C CAPACITOR		
C	49	NCB21HK-153X	C CAPACITOR		
C	50	NCB21HK-153X	C CAPACITOR		
C	51	QEK61HM-105Z-JB	E.CAPA I.M	1.0MF 20% 50V	
C	52	QEK61HM-105Z-JB	E.CAPA I.M	1.0MF 20% 50V	
C	55	NCS21HJ-120X	C CAPACITOR		
C	60	QEK61AM-107Z-JB	E.CAPA I.M	100MF 20% 10V	
C	61	NCS21HJ-120X	C CAPACITOR		
C	62	NCS21HJ-120X	C CAPACITOR		
C	63	NCB21EK-473X	C CAPACITOR		
C	65	NCB21HK-102X	C CAPACITOR		
C	66	NCS21HJ-151X	C CAPACITOR		
C	67	NCS21HJ-151X	C CAPACITOR		
C	68	NCS21HJ-151X	C CAPACITOR		
C	69	QEK61HM-225Z-JB	E.CAPA I.M	2.2MF 20% 50V	
C	70	NCB21HK-392X	C CAPACITOR		
C	71	QEK61HM-335Z-JB	E.CAPA I.M	3.3MF 20% 50V	
C	72	NCB21HK-102X	C CAPACITOR		
C	80	NCS21HJ-8R0X	C CAPACITOR		
C	81	NCB21HK-122X	C CAPACITOR		
C	82	NCB21EK-473X	C CAPACITOR		
C	83	NCB21HK-103X	C CAPACITOR		
C	84	NCB21HK-103X	C CAPACITOR		
C	85	NCB21HK-102X	C CAPACITOR		
C	86	NCB21HK-102X	C CAPACITOR		
C	90	NCB21HK-682X	C.CAPA. C.M		
C	91	NCB21EK-473X	C CAPACITOR		
C	92	NCS21HJ-101X	C CAPACITOR		
C	93	NCS21HJ-100X	C CAPACITOR		
C	94	NCS21HJ-120X	C CAPACITOR		
C	95	NCS21HJ-102X	C CAPACITOR		
C	96	NCS21HJ-8R0X	C CAPACITOR		
C	97	NCS21HJ-4R0X	C CAPACITOR		
C	99	NCB21CK-104X	C.CAPA. C.M		
CF	1	QAX0419-001Z	C FILTER	FM IF	
CF	2	QAX0419-001Z	C FILTER	FM IF	
CF	3	QAX0418-001Z	C FILTER		
CF	4	QAX0409-001	CERA LOCK		
CN	1	QGF1205F1-10	CONNECTOR		
CN	701	QGF1205F1-10	CONNECTOR	TO TUNER PWB	

△	Item	Parts number	Parts name	Remarks	Area
CN	711	QGB1214K1-20S	CONNECTOR	TO AMP PWB CONT	
CN	712	QGB1214K1-06S	CONNECTOR	TO AMP PWB SIG.	
CN	731	QGF1205C1-09	CONNECTOR	TO MECHA PWB	
CN	766	QGF1205F1-11	CONNECTOR	TO CD PWB	
CN	781	QGB2016K1-03	CONNECTOR	TO FRONT SW PWB	
CN	782	QGF1205C1-05	CONNECTOR	TO TOP SW PWB	
CN	801	QGB2016J1-03	CONNECTOR		
CN	802	QGF1205F1-05	CONNECTOR		
C	7001	NCS21HJ-180X	C CAPACITOR	CLOCK	
C	7002	NCS21HJ-180X	C CAPACITOR	CLOCK	
C	7003	NCB21HK-103X	C CAPACITOR		
C	7004	NCS21HJ-360X	C CAPACITOR	MAIN CLOCK SHIF	
C	7005	NCS21HJ-390X	C CAPACITOR	MAIN CLOCK SHIF	
C	7006	NCS21HJ-200X	C CAPACITOR	MAIN CLOCK	
C	7007	NCS21HJ-220X	C CAPACITOR	MAIN CLOCK	
C	7008	NCB21HK-102X	C CAPACITOR		
C	7009	NCB21HK-102X	C CAPACITOR		
C	7011	QER41AM-107	E CAPACITOR	100MF 20% 10V	
C	7012	NCB21HK-103X	C CAPACITOR		
C	7013	QFLC1HJ-104Z	M CAPACITOR	.10MF 5% 50V	
C	7014	QER41CM-106	E CAPACITOR	10MF 20% 16V	
C	7021	QER41CM-476	E CAPACITOR	47MF 20% 16V	
C	7022	NCB21HK-102X	C CAPACITOR		
C	7031	QETBOJM-228	E CAPACITOR	BACKUP CAPACITO	
C	7051	QER61HM-684Z	E.CAPACITOR	.68MF 20% 50V	
C	7052	QER61HM-225Z	E CAPACITOR	2.2MF 20% 50V	
C	7081	NCB21EK-104X	C CAPACITOR		
C	7601	NCS21HJ-151X	C CAPACITOR		
C	7602	NCS21HJ-151X	C CAPACITOR		
C	7619	NCS21HJ-271X	C CAPACITOR		
C	7620	NCS21HJ-271X	C CAPACITOR		
C	7621	NCS21HJ-271X	C CAPACITOR		
C	7622	NCS21HJ-271X	C CAPACITOR		
C	7633	NCB21HK-102X	C CAPACITOR		
C	7641	NCS21HJ-151X	C CAPACITOR		
C	7644	QER41HM-105	E CAPACITOR	1.0MF 20% 50V	
C	7646	QER41HM-105	E CAPACITOR	1.0MF 20% 50V	
C	7701	NCS21HJ-151X	C CAPACITOR		
C	7702	NCS21HJ-151X	C CAPACITOR		
C	7705	NCS21HJ-331X	C CAPACITOR		
C	7734	NCB21HK-102X	C CAPACITOR		
C	7744	QER61HM-225Z	E CAPACITOR	2.2MF 20% 50V	
C	7745	QER61HM-335Z	E CAPACITOR	3.3MF 20% 50V	
C	7746	QER61HM-225Z	E CAPACITOR	2.2MF 20% 50V	
C	7801	NCB21HK-103X	C CAPACITOR	MICOM NOISE	
C	7802	NCB21HK-103X	C CAPACITOR	MICOM NOISE	
C	7803	NCB21HK-103X	C CAPACITOR		
C	7804	NCB21HK-103X	C CAPACITOR		
C	7805	NCB21HK-103X	C CAPACITOR		
C	7806	NCB21HK-103X	C CAPACITOR		
C	7807	NCB21HK-103X	C CAPACITOR		
C	7808	NCB21HK-103X	C CAPACITOR		
C	7809	NCB21HK-102X	C CAPACITOR		
C	7810	NCB21HK-103X	C CAPACITOR		
C	8011	QDYB1CM-103Y	C.CAPACITOR		
C	8012	QDYB1CM-103Y	C.CAPACITOR		
D	1	1SS254-T2	SI DIODE		
D	2	1SS254-T2	SI DIODE		
D	3	1SS254-T2	SI DIODE		
D	4	1SS254-T2	SI DIODE		
D	5	1SS254-T2	SI DIODE		
D	6	1SS254-T2	SI DIODE		
D	20	KV1555N-T	VARI CAPACITOR		

■ Electrical parts list (Tuner board)

Block No. 03

△	Item	Parts number	Parts name	Remarks	Area	△	Item	Parts number	Parts name	Remarks	Area
	D 21	KV1555N-T	VARI CAPACITOR				R 11	NRSA02J-104X	MG RESISTOR		
	DI701	QLD0042-001	LCD	44PIN			R 12	NRSA02J-222X	MG RESISTOR		
	D7001	1SS254-T2	SI DIODE	US5V			R 13	NRSA02J-103X	MG RESISTOR		
△	D7011	MTZJ8.2B-T2	DIODE	SHORT HOGO			R 14	NRSA02J-103X	MG RESISTOR		
△	D7012	1SS254-T2	SI DIODE	SHORT HOGO			R 15	NRSA02J-103X	MG RESISTOR		
	D7031	1SS254-T2	SI DIODE	BUCKUP			R 18	NRSA02J-102X	MG RESISTOR		
	D7032	1SS254-T2	SI DIODE	CLOCK			R 20	NRSA02J-331X	MG RESISTOR		
	D7051	1SS254-T2	SI DIODE	RESET			R 21	NRSA02J-224X	MG RESISTOR		
	D7061	MTZJ5.1C-T2	ZENER DIODE	BUCKUP CONT.			R 22	NRSA02J-331X	MG RESISTOR		
	D7091	1SS254-T2	SI DIODE	US5V			R 23	NRSA02J-270X	MG RESISTOR		
	DB8101	L-34ID-T12	LED	STANDBY LED RED			R 24	NRSA02J-271X	MG RESISTOR		
	IC 1	TA2057N	IC				R 25	NRSA02J-473X	MG RESISTOR		
	IC 2	LC72136N	IC				R 27	NRSA02J-223X	MG RESISTOR		
	IC701	UPD78064GF-149	IC	SYSTEM MICON			R 28	NRSA02J-560X	MG RESISTOR		
	IC702	PIC-21043SP	REMOKON SENSOR				R 29	NRSA02J-473X	MG RESISTOR		
△	IC703	KIA78S06P	IC	US6V REG			R 30	NRSA02J-103X	MG RESISTOR		
	J 1	QNB0008-001	ANT TERMINAL	AM/FM ANT			R 31	NRSA02J-103X	MG RESISTOR		
	JS801	QSW0547-001	ROTARY ENCODER				R 32	NRSA02J-473X	MG RESISTOR		
	K7001	QQR0786-001Z	INDUCTOR	ICVSS			R 34	NRSA02J-333X	MG RESISTOR		
	K7002	QQR0786-001Z	INDUCTOR	AVSS			R 35	NRSA02J-333X	MG RESISTOR		
	K7003	QQR0786-001Z	INDUCTOR				R 36	NRSA02J-103X	MG RESISTOR		
	K7004	QQR0786-001Z	INDUCTOR				R 37	NRSA02J-472X	MG RESISTOR		
	L 1	QQR0796-001	COIL BLOCK	MW RF/OSC			R 38	NRSA02J-392X	MG RESISTOR		
	L 4	QQL231K-221Y	INDUCTOR				R 39	NRSA02J-392X	MG RESISTOR		
	L 5	QQL231K-220Y	INDUCTOR				R 42	NRSA02J-102X	MG RESISTOR		
	L 6	QQR0792-001	OSC COIL	SW1 OSC			R 43	NRSA02J-102X	MG RESISTOR		
	L 7	QQR0791-001	RF COIL	SW2 RF			R 44	NRSA02J-102X	MG RESISTOR		
	L 8	QQR0791-001	RF COIL	SW2 OSC			R 45	NRSA02J-102X	MG RESISTOR		
	L 10	QQR0874-001	COIL				R 46	NRSA02J-473X	MG RESISTOR		
	L 11	QQR0874-001	COIL				R 48	NRSA02J-102X	MG RESISTOR		
	L 12	QQL231K-221Y	INDUCTOR				R 52	NRSA02J-472X	MG RESISTOR		
	L7002	QQL01BK-100Z	INDUCTOR	US5V			R 54	NRSA02J-472X	MG RESISTOR		
	L7003	QQL01BK-470Z	INDUCTOR	AVDD			R 55	NRSA02J-182X	MG RESISTOR		
	L7005	QQL231K-4R7Y	INDUCTOR	AVREF			R 56	NRSA02J-332X	MG RESISTOR		
	Q 1	2SC2668/O-T	TRANSISTOR				R 57	NRSA02J-102X	MG RESISTOR		
	Q 2	DTA114TKA-X	DIGITAL.TR	SW1 SWITCH			R 62	NRSA02J-102X	MG RESISTOR		
	Q 3	DTA114TKA-X	DIGITAL.TR	MW SWITCH			R 63	NRSA02J-103X	MG RESISTOR		
	Q 6	DTA114YKA-X	TRANSISTOR				R 65	NRSA02J-222X	MG RESISTOR		
	Q 7	2SA1037K/R/-X	TRANSISTOR				R 66	NRSA02J-222X	MG RESISTOR		
	Q 8	2SA1037K/R/-X	TRANSISTOR				R 68	NRSA02J-223X	MG RESISTOR		
	Q 12	2SD2144S/VW/-T	TRANSISTOR	MW SWITCH			R 69	NRSA02J-103X	MG RESISTOR		
	Q 13	2SC2668/O-T	TRANSISTOR	MW SWITCH			R 81	NRSA02J-104X	MG RESISTOR		
	Q 14	2SA1037K/R/-X	TRANSISTOR	MW SWITCH			R 82	NRSA02J-104X	MG RESISTOR		
	Q 15	2SA1037K/R/-X	TRANSISTOR	MW SWITCH			R 83	NRSA02J-222X	MG RESISTOR		
	Q 21	DTA114TKA-X	DIGITAL.TR	SW2 SWITCH			R 84	NRSA02J-223X	MG RESISTOR		
	Q 22	2SC2668/O-T	TRANSISTOR	SW2 SWITCH			R 85	NRSA02J-103X	MG RESISTOR		
	Q 24	2SD2144S/VW/-T	TRANSISTOR	SW1 SWITCH			R 86	NRSA02J-102X	MG RESISTOR		
	Q 25	2SA1037K/R/-X	TRANSISTOR	SW1 SWITCH			R 90	NRSA02J-332X	MG RESISTOR		
	Q 26	DTA114TKA-X	DIGITAL.TR	SW1 SWITCH			R 91	NRSA02J-104X	MG RESISTOR		
	Q 27	2SC2668/O-T	TRANSISTOR	SW1 SWITCH			R 92	NRSA02J-102X	MG RESISTOR		
	Q 28	2SA1037K/R/-X	TRANSISTOR	SW2 SWITCH			R 96	NRSA02J-102X	MG RESISTOR		
	Q7001	2SC2668/O-T	TRANSISTOR	CLOCK SHIFT			R 97	NRSA02J-104X	MG RESISTOR		
	Q7002	2SC2668/O-T	TRANSISTOR	CLOCK SHIFT			R 98	NRSA02J-103X	MG RESISTOR		
	Q7031	2SA1037AK/RS/-X	TRANSISTOR	SW5V			R7005	NRSA02J-822X	MG RESISTOR		
	Q7051	DTC114TKA-X	TRANSISTOR	RESET SW			R7006	NRSA02J-822X	MG RESISTOR		
	Q7061	2SC2412K/R/-X	TRANSISTOR	BACKUP CONT			R7031	NRSA02J-331X	MG RESISTOR		
	Q7091	2SC2412K/R/-X	TRANSISTOR	POUT DRIVER			R7032	NRSA02J-103X	MG RESISTOR		
	Q7092	2SA1037AK/RS/-X	TRANSISTOR	STANDBY LED CON			R7033	NRSA02J-102X	MG RESISTOR		
	Q7601	DTC144TKA-X	TRANSISTOR				R7051	NRSA02J-103X	MG RESISTOR		
	Q7602	DTC144TKA-X	TRANSISTOR				R7052	NRSA02J-103X	MG RESISTOR		
	Q7603	2SC2412K/R/-X	TRANSISTOR				R7061	NRSA02J-333X	MG RESISTOR		
	R 1	NRSA02J-102X	MG RESISTOR				R7062	NRSA02J-473X	MG RESISTOR		
	R 2	NRSA02J-821X	MG RESISTOR				R7063	NRSA02J-104X	MG RESISTOR		

■ Electrical parts list(Tuner board)

Block No. 03

△	Item	Parts number	Parts name	Remarks	Area
	R7081	NRSA02J-104X	MG RESISTOR		
	R7082	NRSA02J-104X	MG RESISTOR		
	R7083	NRSA02J-104X	MG RESISTOR		
	R7084	NRSA02J-273X	MG RESISTOR		
	R7093	NRSA02J-153X	MG RESISTOR	STANDBY LED CON	
	R7095	NRSA02J-333X	MG RESISTOR	STANDBY LED CON	
	R7096	NRSA02J-102X	MG RESISTOR	STANDBY LED CON	
	R7429	NRSA02J-913X	MG RESISTOR		
	R7528	NRSA02J-223X	MG RESISTOR		
	R7529	NRSA02J-473X	MG RESISTOR		
	R7530	NRSA02J-103X	MG RESISTOR		
	R7544	NRSA02J-114X	MG RESISTOR		
	R7545	NRSA02J-114X	MG RESISTOR		
	R7602	NRSA02J-102X	MG RESISTOR		
	R7614	NRSA02J-103X	MG RESISTOR	EXCEPT RDS	
	R7615	NRSA02J-103X	MG RESISTOR		
	R7619	NRSA02J-122X	MG RESISTOR		
	R7620	NRSA02J-102X	MG RESISTOR		
	R7621	NRSA02J-122X	MG RESISTOR		
	R7622	NRSA02J-102X	MG RESISTOR		
	R7625	NRSA02J-823X	MG RESISTOR		
	R7628	NRSA02J-823X	MG RESISTOR		
	R7629	NRSA02J-103X	MG RESISTOR		
	R7630	NRSA02J-563X	MG RESISTOR		
	R7631	NRSA02J-104X	MG RESISTOR		
	R7632	NRSA02J-103X	MG RESISTOR		
	R7633	NRSA02J-103X	MG RESISTOR		
	R7634	NRSA02J-103X	MG RESISTOR		
	R7635	NRSA02J-104X	MG RESISTOR		
	R7639	NRSA02J-222X	MG RESISTOR		
	R7641	NRSA02J-102X	MG RESISTOR		
	R7642	NRSA02J-102X	MG RESISTOR		
	R7643	NRSA02J-103X	MG RESISTOR		
	R7644	NRSA02J-683X	MG RESISTOR		
	R7646	NRSA02J-683X	MG RESISTOR		
	R7647	NRSA02J-104X	MG RESISTOR		
	R7648	NRSA02J-394X	MG RESISTOR		
	R7649	NRSA02J-823X	MG RESISTOR		
	R7701	NRSA02J-223X	MG RESISTOR		
	R7702	NRSA02J-103X	MG RESISTOR		
	R7703	NRSA02J-102X	MG RESISTOR		
	R7704	NRSA02J-103X	MG RESISTOR		
	R7705	NRSA02J-102X	MG RESISTOR		
	R7706	QRE141J-102Y	C RESISTOR	1.0K 5% 1/4W	
	R7707	QRE141J-102Y	C RESISTOR	1.0K 5% 1/4W	
	R7711	NRSA02J-222X	MG RESISTOR		
	R7712	NRSA02J-102X	MG RESISTOR		
	R7713	NRSA02J-222X	MG RESISTOR		
	R7715	NRSA02J-222X	MG RESISTOR		
	R7716	NRSA02J-472X	MG RESISTOR		
	R7717	NRSA02J-472X	MG RESISTOR		
	R7718	NRSA02J-222X	MG RESISTOR		
	R7719	NRSA02J-102X	MG RESISTOR		
	R7720	NRSA02J-102X	MG RESISTOR		
	R7721	NRSA02J-102X	MG RESISTOR		
	R7722	NRSA02J-102X	MG RESISTOR		
	R7723	NRSA02J-222X	MG RESISTOR		
	R7724	NRSA02J-222X	MG RESISTOR		
	R7725	NRSA02J-222X	MG RESISTOR		
	R7726	NRSA02J-222X	MG RESISTOR		
	R7728	NRSA02J-222X	MG RESISTOR		
	R7729	NRSA02J-222X	MG RESISTOR		
	R7730	NRSA02J-222X	MG RESISTOR		

△	Item	Parts number	Parts name	Remarks	Area
	R7731	NRSA02J-222X	MG RESISTOR		
	R7732	NRSA02J-222X	MG RESISTOR		
	R7733	NRSA02J-222X	MG RESISTOR		
	R7734	NRSA02J-222X	MG RESISTOR		
	R7735	NRSA02J-222X	MG RESISTOR		
	R7738	NRSA02J-222X	MG RESISTOR		
	R7739	NRSA02J-222X	MG RESISTOR		
	R7741	NRSA02J-222X	MG RESISTOR		
	R7742	NRSA02J-222X	MG RESISTOR		
	R7743	NRSA02J-222X	MG RESISTOR		
	R7744	NRSA02J-563X	MG RESISTOR		
	R7745	NRSA02J-473X	MG RESISTOR		
	R7746	NRSA02J-333X	MG RESISTOR		
	R7747	NRSA02J-222X	MG RESISTOR		
	R7748	NRSA02J-153X	MG RESISTOR		
	R7749	NRSA02J-123X	MG RESISTOR		
	R7750	NRSA02J-222X	MG RESISTOR		
	R7799	NRSA02J-102X	MG RESISTOR		
	R8001	QRE141J-102Y	C RESISTOR	1.0K 5% 1/4W	
	R8002	QRE141J-102Y	C RESISTOR	1.0K 5% 1/4W	
	R8003	QRE141J-122Y	C RESISTOR	1.2K 5% 1/4W	
	R8005	QRE141J-473Y	C RESISTOR	VERSION	
	R8011	QRE141J-102Y	C RESISTOR	1.0K 5% 1/4W	
	R8012	QRE141J-102Y	C RESISTOR	1.0K 5% 1/4W	
	R8013	QRE141J-122Y	C RESISTOR	1.2K 5% 1/4W	
	R8014	QRE141J-152Y	C RESISTOR	1.5K 5% 1/4W	
	R8015	QRE141J-222Y	C RESISTOR	2.2K 5% 1/4W	
	R8016	QRE141J-272Y	C RESISTOR	2.7K 5% 1/4W	
	R8017	QRE141J-392Y	C RESISTOR	3.9K 5% 1/4W	
	R8018	QRE141J-562Y	C RESISTOR	5.6K 5% 1/4W	
	R8019	QRE141J-103Y	C RESISTOR	10K 5% 1/4W	
	R8101	QRE141J-271Y	C RESISTOR	270 5% 1/4W	
	S8001	QSW0622-001Z	TACT SWITCH	POWER	
	S8002	QSW0622-001Z	TACT SWITCH	AUX	
	S8003	QSW0622-001Z	TACT SWITCH	VOLUME+	
	S8004	QSW0622-001Z	TACT SWITCH	VOLUME-	
	S8011	QSW0622-001Z	TACT SWITCH	TUNER	
	S8012	QSW0622-001Z	TACT SWITCH	UP	
	S8013	QSW0622-001Z	TACT SWITCH	STOP	
	S8014	QSW0622-001Z	TACT SWITCH	TAPE	
	S8015	QSW0622-001Z	TACT SWITCH	CD	
	S8016	QSW0622-001Z	TACT SWITCH	DOWN	
	S8017	QSW0622-001Z	TACT SWITCH	CLOCK	
	S8018	QSW0622-001Z	TACT SWITCH	REC	
	S8019	QSW0622-001Z	TACT SWITCH	SBASS	
	S8020	QSW0622-001Z	TACT SWITCH	SNOOSE	
	S8061	QSW0122-001	PUSH SWITCH	CD DOOR	
	T 1	QQR0793-001	IFT		
	TU 1	QAU0037-001	FRONT END	FM TU	
	X 1	QAX0402-001	CRYSTAL		
	X7001	QAX0401-001	CRYSTAL	CLOCK	
	X7002	QAX0410-001	CERA LOCK	MAIN CLOCK	

■ Electrical parts list (CD servo board)

Block No. 04

△	Item	Parts number	Parts name	Remarks	Area	△	Item	Parts number	Parts name	Remarks	Area
	C 101	NCS21HJ-821X	C CAPACITOR	820PF 5% 50V			IC 33	BU4094BCF-X	IC		
	C 102	NCS21HJ-221X	C CAPACITOR	220PF 5% 50V			L 301	QQR0620-001	OSC COIL(BIAS)		
	C 103	QEKJ0JM-227Z	E CAPACITOR	220MF 20% 6.3V			L 303	QQL01BK-100Z	INDUCTOR		
	C 104	NCB21HK-333X	C CAPACITOR	.033MF 10% 50V			Q 101	DTC114TKA-X	TRANSISTOR		
	C 105	NCB21HK-222X	C CAPACITOR	2200PF 10% 50V			Q 102	DTC114TKA-X	TRANSISTOR	REC EQ CONT.	
	C 106	QEKJ1CM-106Z	E CAPACITOR	10MF 20% 16V			Q 201	DTC114TKA-X	TRANSISTOR		
	C 107	NCS21HJ-561X	C CAPACITOR	560PF 5% 50V			Q 202	DTC114TKA-X	TRANSISTOR	REC EQ CONT.	
	C 108	QEKJ1EM-475Z	E CAPACITOR	4.7MF 20% 25V			Q 301	DTA144EKA-X	TRANSISTOR	REC EQ CONT.	
	C 109	QEKJ1EM-475Z	E CAPACITOR	4.7MF 20% 25V			Q 302	2SC2001/K/-T	TR I/M		
	C 110	NCB21HK-682X	C.CAPA. C.M	6800PF 10% 50V			Q 303	2SC2001/K/-T	TR I/M		
	C 111	NCB21HK-122X	C CAPACITOR	1200PF 10% 50V			Q 304	2SC2001/LK/-T	TRANSISTOR		
	C 112	NCB21EK-683X	C CAPACITOR	.068MF 10% 25V			Q 305	2SC2001/LK/-T	TRANSISTOR		
	C 113	NCB21HK-222X	C CAPACITOR	2200PF 10% 50V			Q 306	2SC2412K/RS/-X	CHIP TR.C.M		
	C 121	NCS21HJ-331X	C CAPACITOR	330PF 5% 50V			Q 307	2SC2412K/RS/-X	CHIP TR.C.M		
	C 201	NCS21HJ-821X	C CAPACITOR	820PF 5% 50V			Q 308	2SC2412K/RS/-X	CHIP TR.C.M		
	C 202	NCS21HJ-221X	C CAPACITOR	220PF 5% 50V			Q 309	2SC2412K/RS/-X	CHIP TR.C.M		
	C 203	QEKJ0JM-227Z	E CAPACITOR	220MF 20% 6.3V			Q 321	DTC144EKA-X	TRANSISTOR		
	C 204	NCB21HK-333X	C CAPACITOR	.033MF 10% 50V			Q 323	2SC2412K/RS/-X	CHIP TR.C.M		
	C 205	NCB21HK-222X	C CAPACITOR	2200PF 10% 50V			Q 371	2SA952/LK/-T	TRANSISTOR	MOTER+B	
	C 206	QEKJ1CM-106Z	E CAPACITOR	10MF 20% 16V			Q 372	DTC124EKA-X	TRANSISTOR		
	C 207	NCS21HJ-561X	C CAPACITOR	560PF 5% 50V			Q 375	2SB562/C/-T	TRANSISTOR	SOLENOID DRIVE	
	C 208	QEKJ1EM-475Z	E CAPACITOR	4.7MF 20% 25V			Q 376	2SC2412K/RS/-X	CHIP TR.C.M		
	C 209	QEKJ1EM-475Z	E CAPACITOR	4.7MF 20% 25V			R 101	NRSA02J-220X	MG RESISTOR	22 5% 1/10W	
	C 210	NCB21HK-682X	C.CAPA. C.M	6800PF 10% 50V			R 102	NRSA02J-182X	MG RESISTOR	1.8K 5% 1/10W	
	C 211	NCB21HK-122X	C CAPACITOR	1200PF 10% 50V			R 103	NRSA02J-242NY	MG RESISTOR	2.4K 5% 1/10W	
	C 212	NCB21EK-683X	C CAPACITOR	.068MF 10% 25V			R 104	NRSA02J-122X	MG RESISTOR	1.2K 5% 1/10W	
	C 213	NCB21HK-222X	C CAPACITOR	2200PF 10% 50V			R 105	NRSA02J-104X	MG RESISTOR	100K 5% 1/10W	
	C 221	NCS21HJ-331X	C CAPACITOR	330PF 5% 50V			R 106	NRSA02J-332X	MG RESISTOR	3.3K 5% 1/10W	
	C 301	QEKJ1AM-107Z	E CAPACITOR	100MF 20% 10V			R 107	NRSA02J-123X	RES. C.M	12K 5% 1/10W	
	C 302	NCB21HK-393X	C CAPACITOR	.039MF 10% 50V			R 108	NRSA02J-562X	MG RESISTOR	5.6K 5% 1/10W	
	C 303	QEKJ0JM-227Z	E CAPACITOR	220MF 20% 6.3V			R 109	NRSA02J-122X	MG RESISTOR	1.2K 5% 1/10W	
	C 304	QEKJ1CM-226Z	E CAPACITOR	22MF 20% 16V			R 110	NRSA02J-472X	RES. C.M	4.7K 5% 1/10W	
	C 305	QEKJ1CM-226Z	E CAPACITOR	22MF 20% 16V			R 111	NRSA02J-333X	MG RESISTOR	33K 5% 1/10W	
	C 306	QEKJ1CM-476Z	E CAPACITOR	47MF 20% 16V			R 112	NRSA02J-222X	MG RESISTOR	2.2K 5% 1/10W	
	C 307	NCB21HK-103X	C CAPACITOR	.010MF 10% 50V			R 113	NRSA02J-472X	RES. C.M	4.7K 5% 1/10W	
	C 308	NCB21HK-562X	C CAPACITOR	5600PF 10% 50V			R 114	NRSA02J-272X	MG RESISTOR	2.7K 5% 1/10W	
	C 309	NCB21HK-562X	C CAPACITOR	5600PF 10% 50V			R 116	NRSA02J-102X	RES. C.M	1.0K 5% 1/10W	
	C 310	NCB21HK-223X	C CAPACITOR	.022MF 10% 50V			R 121	NRSA02J-102X	RES. C.M	1.0K 5% 1/10W	
	C 311	NCB21HK-682X	C.CAPA. C.M	6800PF 10% 50V			R 201	NRSA02J-220X	MG RESISTOR	22 5% 1/10W	
	C 313	QEKJ1AM-107Z	E CAPACITOR	100MF 20% 10V			R 202	NRSA02J-182X	MG RESISTOR	1.8K 5% 1/10W	
	C 314	QCZ0205-155Z	ML C CAP I/M	1.5MF			R 203	NRSA02J-242NY	MG RESISTOR	2.4K 5% 1/10W	
	C 315	QCZ0205-155Z	ML C CAP I/M	1.5MF			R 204	NRSA02J-122X	MG RESISTOR	1.2K 5% 1/10W	
	C 316	QFG32AJ-103Z	PP CAPACITOR	.010MF 5% 100V			R 205	NRSA02J-104X	MG RESISTOR	100K 5% 1/10W	
	C 318	NCB21HK-103X	C CAPACITOR	.010MF 10% 50V			R 206	NRSA02J-332X	MG RESISTOR	3.3K 5% 1/10W	
	C 319	QFG32AJ-821Z	TF CAPACITOR	820PF 5% 100V			R 207	NRSA02J-123X	RES. C.M	12K 5% 1/10W	
	C 321	NCB21HK-103X	C CAPACITOR	.010MF 10% 50V			R 208	NRSA02J-562X	MG RESISTOR	5.6K 5% 1/10W	
	C 322	QFG32AJ-152Z	M CAPACITOR	1500PF 5% 100V			R 209	NRSA02J-122X	MG RESISTOR	1.2K 5% 1/10W	
	C 331	QEKJ1CM-476Z	E CAPACITOR	47MF 20% 16V			R 210	NRSA02J-472X	RES. C.M	4.7K 5% 1/10W	
	C 351	QEK41CM-106	E CAPACITOR	10MF 20% 16V			R 211	NRSA02J-333X	MG RESISTOR	33K 5% 1/10W	
	C 371	QEKJ1EM-475Z	E CAPACITOR	4.7MF 20% 25V			R 212	NRSA02J-222X	MG RESISTOR	2.2K 5% 1/10W	
	C 374	QEKJ1AM-107Z	E CAPACITOR	MOTOR +B			R 213	NRSA02J-472X	RES. C.M	4.7K 5% 1/10W	
	C 375	QEKJ1AM-107Z	E CAPACITOR	100MF 20% 10V			R 214	NRSA02J-272X	MG RESISTOR	2.7K 5% 1/10W	
	C 376	NCB21HK-103X	C CAPACITOR	.010MF 10% 50V			R 216	NRSA02J-102X	RES. C.M	1.0K 5% 1/10W	
	CN 31	QGF1205F1-06	CONNECTOR	PRI/HEAD			R 221	NRSA02J-102X	RES. C.M	1.0K 5% 1/10W	
	CN 32	QGB2011M1-10	PWB CONECTOR	PRI/MECHA			R 301	NRS181J-221X	MG RESISTOR	220 5% 1/8W	
	CN 33	QGF1205F1-09	CONNECTOR	PRI/MICON			R 303	NRSA02J-393X	MG RESISTOR	39K 5% 1/10W	
	CN 34	QGF1205F1-10	CONNECTOR	PRI/AMP			R 304	NRS181J-101X	MG RESISTOR	100 5% 1/8W	
	D 301	MA152WA-X	DIODE				R 305	NRSA02J-222X	MG RESISTOR	2.2K 5% 1/10W	
	D 309	MA704A-X	S.K.DIODE				R 306	NRSA02J-222X	MG RESISTOR	2.2K 5% 1/10W	
	D 375	MA3051/M/-X	ZENER DIODE				R 310	NRS181J-560X	MG RESISTOR	56 5% 1/8W	
	FW 31	QUM024-06A2Z3	EF FLAT				R 311	NRS181J-560X	MG RESISTOR	56 5% 1/8W	
	IC 31	BA3126N	IC	HEAD SW			R 313	NRSA02J-3R3NY	RES. C.M	3.3 5% 1/10W	
	IC 32	AN7317	IC	PB&REC			R 314	NRSA02J-223X	RES. C.M	22K 5% 1/10W	

■ Electrical parts list (CD servo board)

Block No. 04

△	Item	Parts number	Parts name	Remarks	Area
	R 315	NRSA02J-100X	MG RESISTOR	10 5% 1/10W	
	R 316	NRSA02J-223X	RES. C.M	22K 5% 1/10W	
	R 317	NRSA02J-100X	MG RESISTOR	10 5% 1/10W	
	R 319	NRSA02J-152X	MG RESISTOR	1.5K 5% 1/10W	
	R 322	NRSA02J-152X	MG RESISTOR	1.5K 5% 1/10W	
	R 327	NRSA02J-474X	MG RESISTOR	470K 5% 1/10W	
	R 332	NRSA02J-123X	RES. C.M	12K 5% 1/10W	
	R 333	NRSA02J-123X	RES. C.M	12K 5% 1/10W	
	R 335	NRSA02J-152X	MG RESISTOR	1.5K 5% 1/10W	
	R 336	NRSA02J-472X	RES. C.M	4.7K 5% 1/10W	
	R 337	NRSA02J-332X	MG RESISTOR	3.3K 5% 1/10W	
	R 338	NRSA02J-392X	MG RESISTOR	3.9K 5% 1/10W	
	R 339	NRSA02J-222X	MG RESISTOR	2.2K 5% 1/10W	
	R 340	NRS181J-391X	MG RESISTOR	390 5% 1/8W	
	R 341	NRSA02J-123X	RES. C.M	12K 5% 1/10W	
	R 342	NRSA02J-203X	MG RESISTOR	20K 5% 1/10W	
	R 343	NRSA02J-183X	MG RESISTOR	18K 5% 1/10W	
	R 351	NRSA02J-683X	MG RESISTOR	68K 5% 1/10W	
	R 352	NRSA02J-912X	RES. C.M	9.1K 5% 1/10W	
	R 371	NRSA02J-123X	RES. C.M	12K 5% 1/10W	
	R 372	NRSA02J-102X	RES. C.M	1.0K 5% 1/10W	
	R 375	NRSA02J-151X	MG RESISTOR	150 5% 1/10W	
	R 376	NRSA02J-472X	RES. C.M	4.7K 5% 1/10W	
	VR 31	QVP0008-503Z	SEMI V RESISTOR	BIAS ADJ	
	VR 32	QVP0008-503Z	SEMI V RESISTOR	BIAS ADJ	
	VR 37	QVP0008-103Z	SEMI V RESISTOR	TAPE SPEED ADJ	

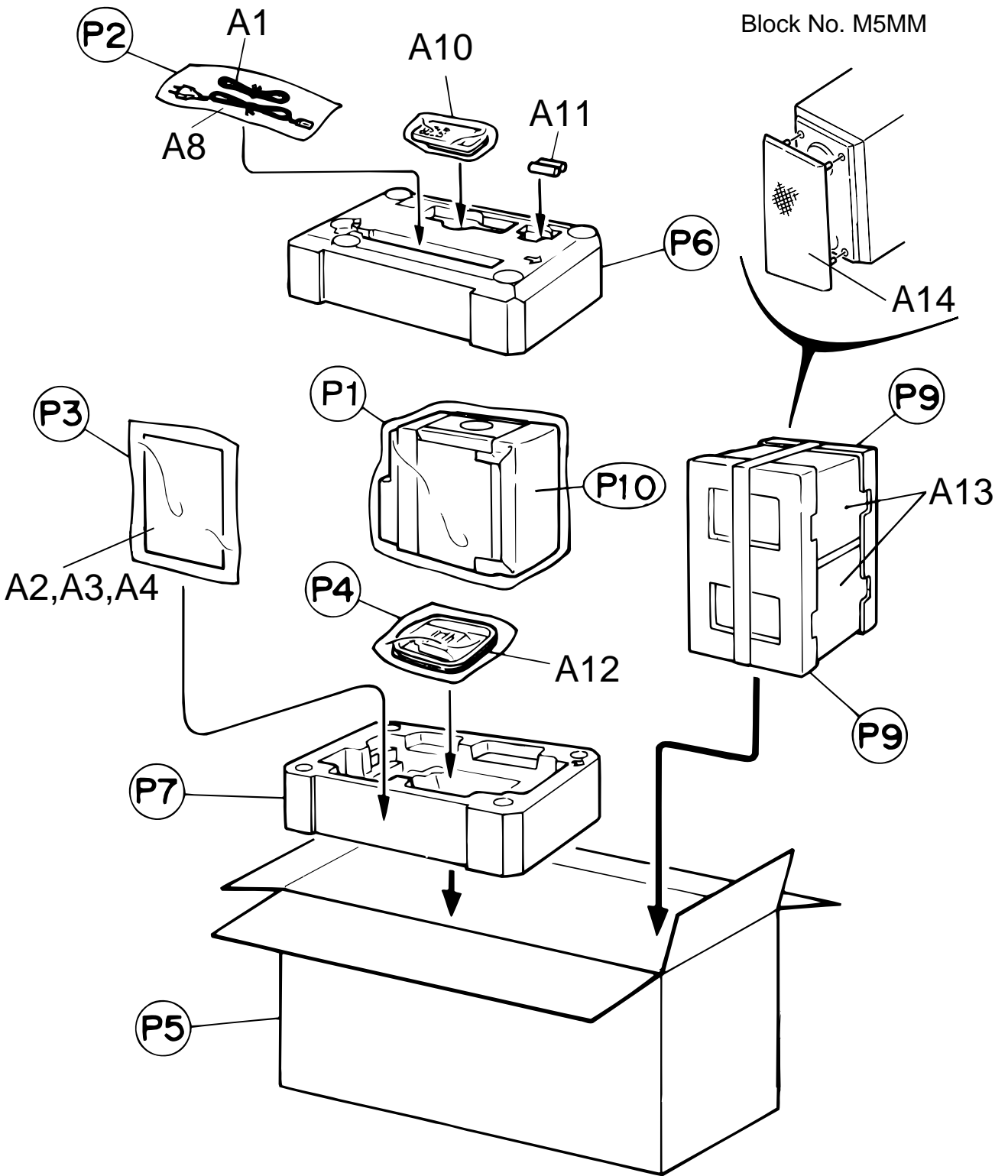
■ Electrical parts list(Cassette switch board)

Block No. 05

△	Item	Parts number	Parts name	Remarks	Area
	CN 1	QGB2011L1-10	10P PLUG ASSY		
	D 1	1SR139-400-T2	SI DIODE		
	IC 1	SG-105F3-BB,C	PHOTO SENSER		
	P 1	QNZ0104-001	POST PIN		
	SW 1	QSW0832-001	CASSETTE SWITCH	R.REC	
	SW 2	QSW0832-001	CASSETTE SWITCH	TAPE	
	SW 4	QSW0832-001	CASSETTE SWITCH	70U	
	SW 5	QSW0832-001	CASSETTE SWITCH	F.REC	
	SW 6	QSW0859-001	SWITCH		

Packing Materials and Accessories Parts List

Block No. M4MM
Block No. M5MM



■ Packing parts list

Block No. M4MM

△	Item	Parts number	Parts name	Q'ty	Description	Area
	P 1	QPC04504515P	POLY BAG	1	FOR SET	
	P 2	QPA01202505	POLY BAG	1	FOR P.CORD	
	P 3	VPE3026-004	POLY BAG	1	FOR INST	
	P 4	QPA01702503P	POLY BAG	1	FOR AM ANT	
	P 5	LV31089-004A	CARTON	1		
	P 6	VPH1709-001	CUSHION(UPPER)	1		
	P 7	VPH1709-002	CUSHION(BOTTOM)	1		
	P 9	VGSP024-004	CUSHION	2	FOR SPEAKER	
	P 10	VPK3001-012SC	SHEET	1		

■ Accessories list

Block No. M5MM

△	Item	Parts number	Parts name	Q'ty	Description	Area
	A 1	EWP201-011	B. IN ANT	1	FM ANT	
	A 2	LVT0495-001A	INST BOOK	1	CHI	
	A 3	BT-59007-2	WARRANTY CARD	1		
	A 4	BT-59009-1	SVC CENTER LIST	1		
	A 8	QMPS020-183-JC	POWER CORD	1		
	A 10	VGR0063-201	REMOCON UNIT	1		
	A 11	R6SPTT/2STA	BATTERY	2	FOR REMOCON	
	A 12	QAL0014-001	AM LOOP ANT	1	AM ANT	
	A 13	UXT77RK-SPBOX	SPEAKER	2		
	A 14	LV41000-001A	SPEAKER NET	2		

<<MEMO>>